

TZU 19-66 High-pass filter | return path blocker | 5...65 MHz



- ✓ Frequency range 85...2400 MHz
- ✓ Frequency range blocked 5...68 MHz
- ✓ DC power pass

Order information

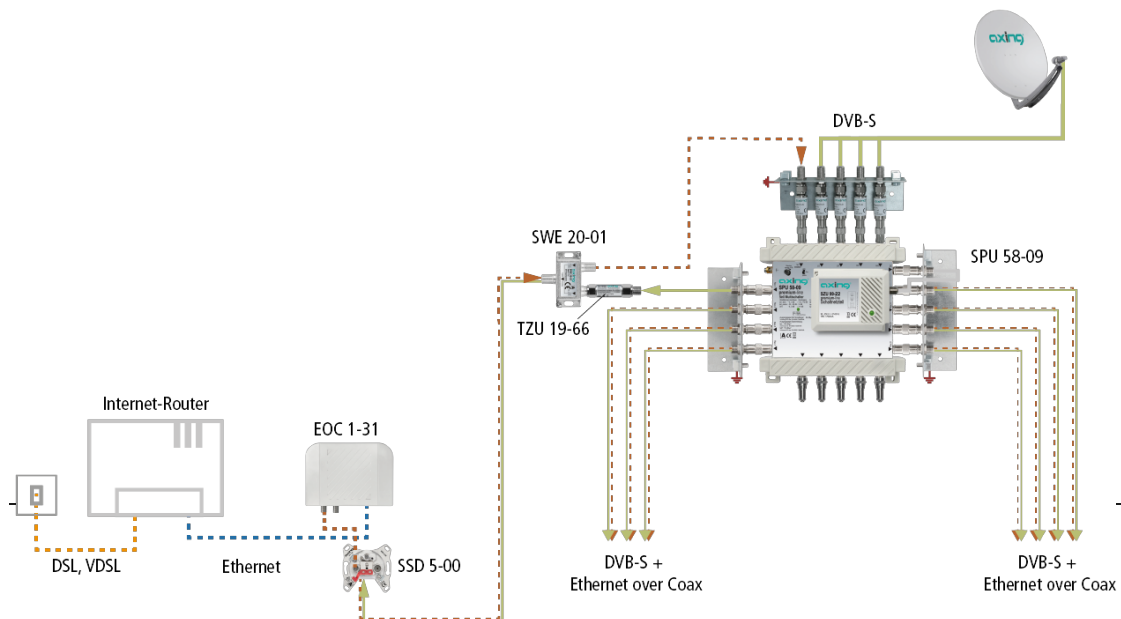
Type	TZU 19-66
Order no.	TZU01966
GTIN	7611682000627
PE	1
VE	1
EU customs tariff number	85291080



Technical data

Frequency range	85...2200 MHz
Frequency range blocked	5...65 MHz
Screening factor acc. to EN 50083-2	> 90 dB
Blocking depth	> 50 dB
DC power pass	yes
Through loss	1.5 dB
Connectors	
Connector type	F-female/F-male
Return loss	> 18 dB...1.5 dB/Oktave
General	
Weight	0.028 kg

Example of use



Suitable products

- [EOC 1-31 Ethernet over Coax | Peer-to-Peer | 720 Mbps](#)
- [EOC 2-31 Ethernet over Coax | Peer-to-Peer | 720 Mbps | WiFi](#)
- [EOC 20-01 Ethernet over Coax | Master | 720 Mbps](#)
- [EOC 20-02 Ethernet over Coax | Endpoint | 720 Mbps](#)