

SVS 990-09 Headamplifier | 9 in 9 | premium-line



- ✓ For use with SPU 9xx-09 systems
- ✓ 8 × SAT 950...2200 MHz | Gain 21...27 dB
- ✓ 1 × TERR 5...862 MHz | Gain 15 dB
- ✓ Built-in attenuators 0...15 dB
- ✓ Switching power supply unit (detachable up to 10 m)
- ✓ 9 termination resistors CFA 11-00 included

Order information

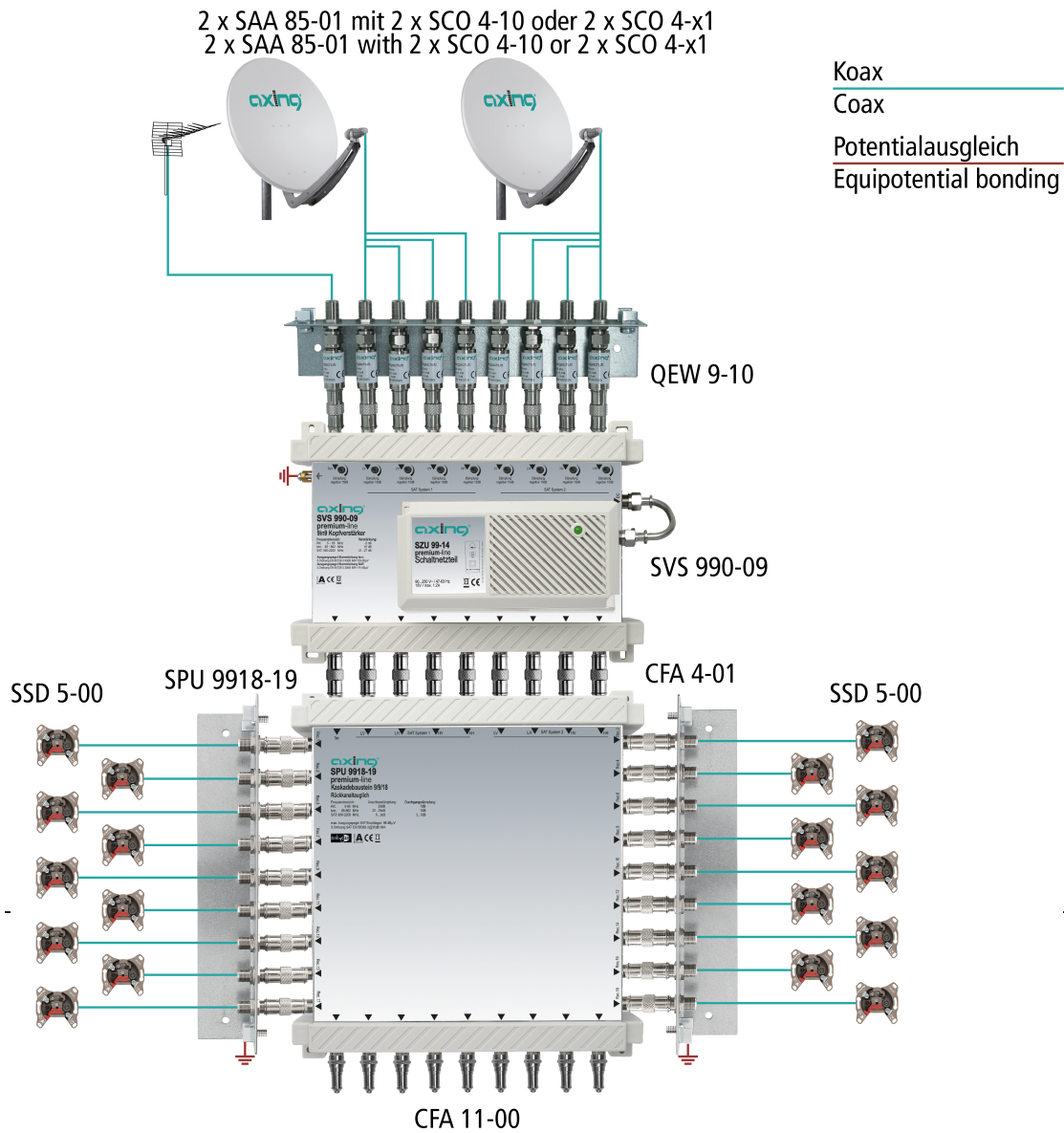
Type	SVS 990-09
Order no.	SVS99009
GTIN	7611682002850
PE	1
VE	1
EU customs tariff number	85437030



Technical data

Inputs	
Number	9
Frequency range	5 ... 862 MHz 950 ... 2200 MHz
Attenuator adjustment range	0...15 dB
Gain TERR	15 dB
Gain SAT	21...27 dB
Gain return path (passive)	-2 dB
Isolation SAT inputs SAT inputs	40 dB
Isolation TERR SAT	40 dB
Trunk outputs	
Number	9
Max. output level TERR (3rd order EN 50083-3, 60 dB KMA)	109 dBμV
Max. output level trunk SAT (3rd order EN 50083-3, 35 dB KMA, 2 sender test method)	114 dBμV
Isolation TERR SAT	40 dB
Isolation SAT SAT	40 dB
Connectors	
Connector type	F
General	
Switching power supply	90...250 V~ 47...63 Hz 18 V=/1.2 A
Power consumption	14 W
Equipotential bonding connection	4 mm²
Operating temperature range (acc. to EN 60065)	-20...+50°C
Dimensions (W × H × D) appr.	255 × 145 × 85 mm
Weight	1.340 kg
IP code	IP20

Example of use



Suitable products

QEW 9-10 Earthing angle | single-rowed | surge protection