

SVS 550-09 Headamplifier | 5 in 5 | premium-line



- ✓ For use with SPU 5xx-09 systems
- ✓ 4 × SAT 950...2200 MHz | 1 × TERR 5...862 MHz
- ✓ 4 × SAT 950...2200 MHz | Gain 21...27 dB
- ✓ 1 × TERR 5...862 MHz | Gain 15 dB
- ✓ Built-in attenuators 0...15 dB
- ✓ Switching power supply unit (detachable up to 10 m)
- ✓ 5 termination resistors CFA 11-00 included

Order information

Type	SVS 550-09
Order no.	SVS55009
GTIN	7611682002621
PE	1
VE	1
EU customs tariff number	85437030



Technical data

Inputs

Number	5
Frequency range	5 ... 862 MHz 950 ... 2200 MHz
Attenuator adjustment range	0...15 dB
Gain TERR	15 dB
Gain SAT	21...27 dB
Gain return path (passive)	-2 dB
Isolation SAT inputs SAT inputs	40 dB
Isolation TERR SAT	40 dB

Trunk outputs

Number	5
Max. output level TERR (3rd order EN 50083-3, 60 dB KMA)	109 dB μ V
Max. output level trunk SAT (3rd order EN 50083-3, 35 dB KMA, 2 sender test method)	114 dB μ V
Isolation TERR SAT	40 dB
Isolation SAT SAT	40 dB

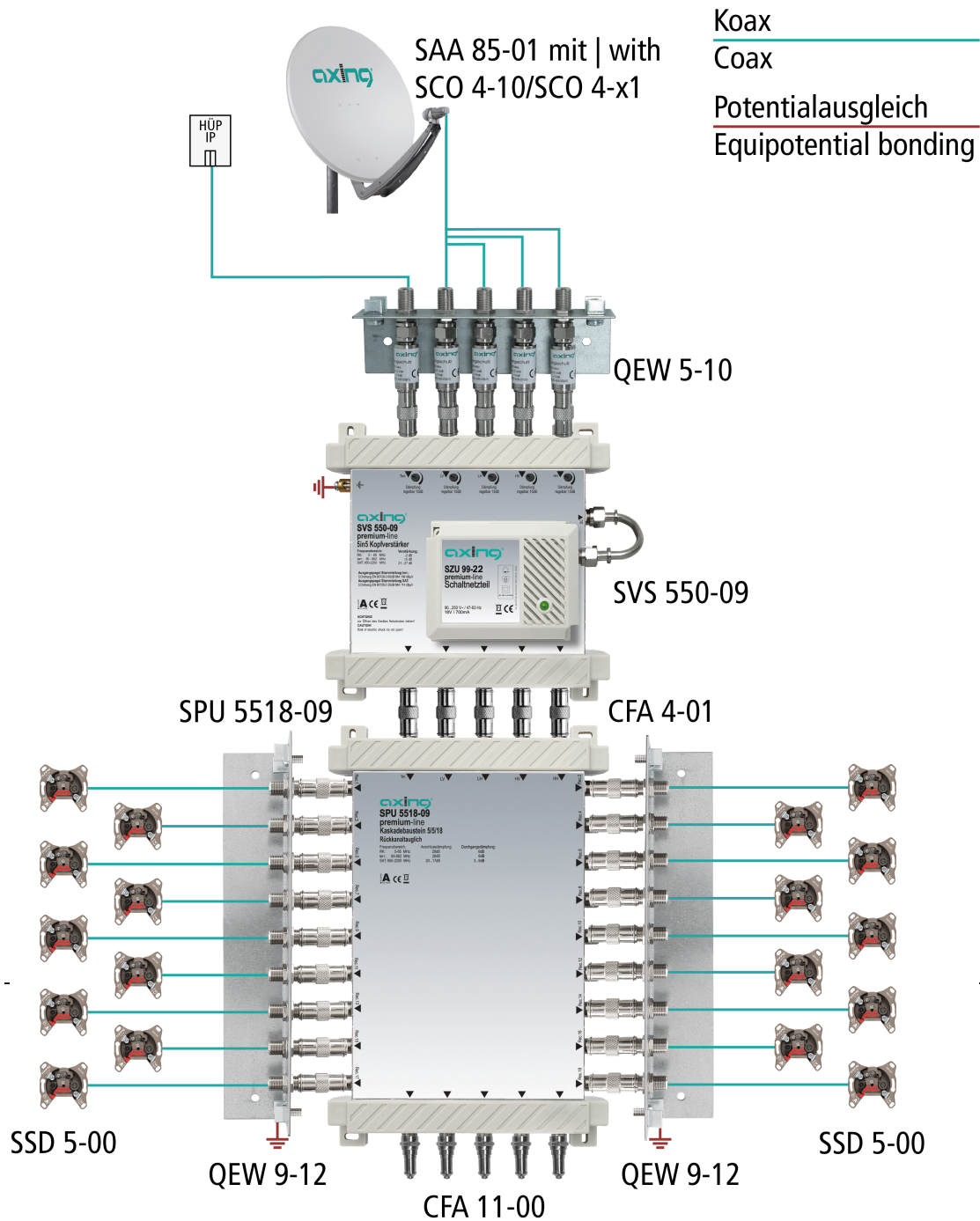
Connectors

Connector type	F
----------------	---

General

Operating temperature range (acc. to EN 60065)	-20...+50°C
Switching power supply	90...250 V~ 47...63 Hz 18 V=/0.7 A
Power consumption	10 W
Equipotential bonding connection	4 mm ²
Dimensions (W × H × D) appr.	195 × 145 × 85 mm
Weight	0.725 kg
IP code	IP20

Example of use



Suitable products

QEW 5-10 Earthing angle | single-rowed | surge protection