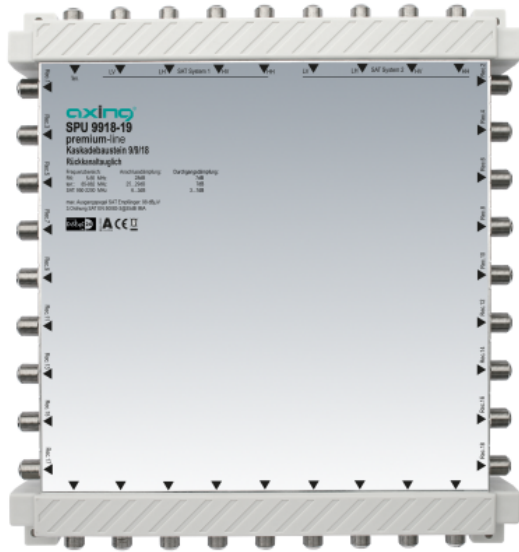


SPU 9918-19 Cascade unit | 9 in 18 | premium-line



- ✓ For up to 18 subscribers
- ✓ Active satellite and passive terrestrial path
- ✓ For cascadable 9 in x SAT systems
- ✓ Optimized for the use with SPU 9xx-09
- ✓ Suitable for broadband return path (EoC suitable up to 204 MHz)

Order information

Type	SPU 9918-19
Order no.	SPU991819
GTIN	7611682004533
PE	1
VE	1
EU customs tariff number	85291095



Technical data

Inputs

Number	9
Frequency range	5 ... 862 MHz 950 ... 2200 MHz
Subscriber ports	
Number	18
Tap loss TERR	25...29 dB
Tap loss SAT active	6...3dB
Isolation	>26 dB
Switching isolation	>26 dB
Max. output level SAT (3rd order SAT EN 50083:3 35dB KMA, 2 sender test method)	98 dBμV
Current consumption per port (without LNB supply)	55 mA

Trunk outputs

Number	9
Through loss TERR	7 dB
Through loss SAT	3...7 dB
Isolation	>30 dB
Rejection (SAT TERR)	>40 dB

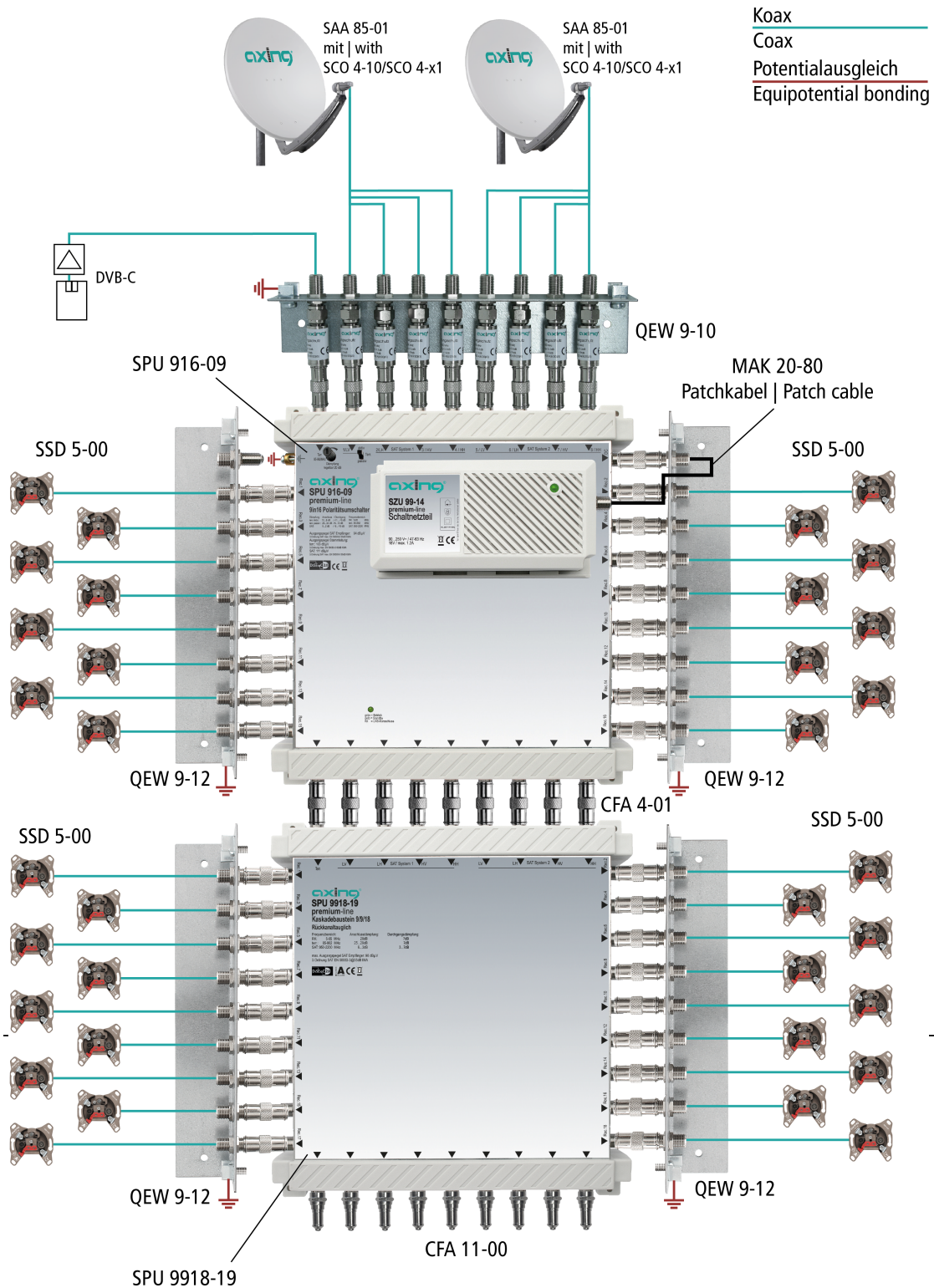
Connectors

Connector type	F
----------------	---

General

Operating temperature range (acc. to EN 60065)	-20...+50°C
Dimensions (W × H × D) appr.	230 × 255 × 40 mm
Weight	0.980 kg

Example of use



Koax
Coax
Potentialausgleich
Equipotential bonding

Suitable products

- [QEW 9-12 Earthing angle | single-rowed | quickfix](#)
- [CFA 11-00 Terminating resistor | 75 Ohm | DC isolated](#)
- [CFA 4-01 Adapter F/F | Quickfix](#)