

SPU 9918-09 Cascade unit | 9 in 18 | premium-line



- ✓ For up to 18 subscribers
- ✓ Passive satellite and terrestrial path
- ✓ For cascadable 9 in x SAT systems
- ✓ Optimized for the use with SPU 9xx-09
- ✓ Suitable for broadband return path (EoC suitable up to 204 MHz)

Order information

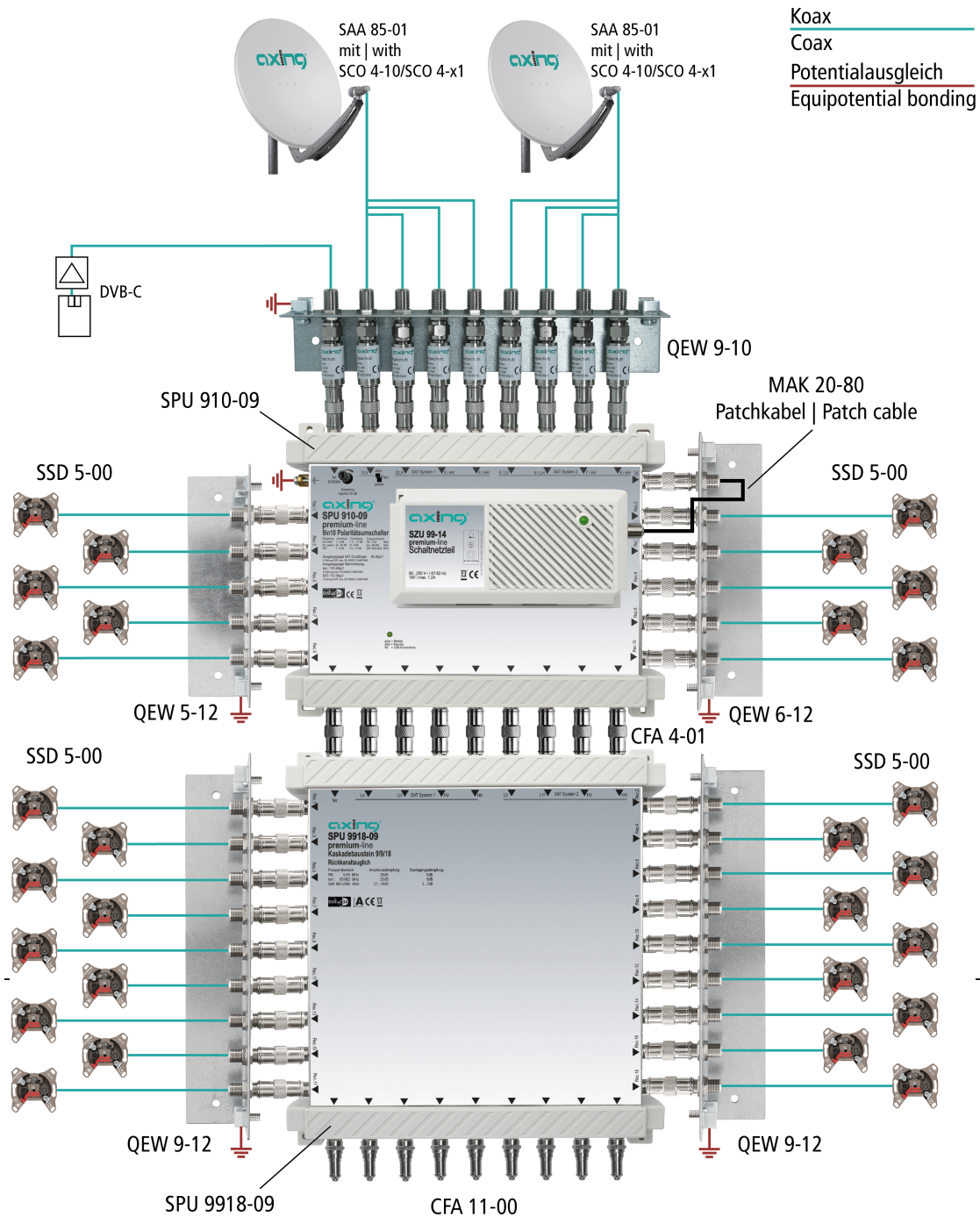
Type	SPU 9918-09
Order no.	SPU991809
GTIN	7611682139129
PE	1
VE	1
EU customs tariff number	85291095



Technical data

Inputs	
Number	9
Frequency range	5 ... 862 MHz 950 ... 2200 MHz
Subscriber ports	
Number	18
Tap loss TERR	28 dB
Isolation	>26 dB
Switching isolation	>26 dB
Trunk outputs	
Number	9
Through loss TERR	6 dB
Isolation	>30 dB
Through loss SAT	3...7 dB
Rejection (SAT TERR)	>40 dB
Connectors	
Connector type	F
General	
Operating temperature range (acc. to EN 60065)	-20...+50°C
Dimensions (W x H x D) appr.	230 x 255 x 40 mm
Weight	1.135 kg

Example of use



Suitable products

- QEW 9-12 Farthing angle | single-rowed | quickfix
- CFA 11-00 Terminating resistor | 75 Ohm | DC isolated
- CFA 4-01 Adapter F | F | Quickfix