

## SPU 910-09 Active multiswitch | 9 in 10 | premium-line



- ✓ For up to 10 subscribers
- ✓ Active satellite and terrestrial path
- ✓ Terrestrial adjustable, switchable to passive (thus suitable for return channel)
- ✓ Cascadable
- ✓ Suitable for broadband return path (EoC suitable up to 204 MHz)
- ✓ Suitable for Quad LNB
- ✓ Switching power supply unit (detachable up to 10 m)

### Order information

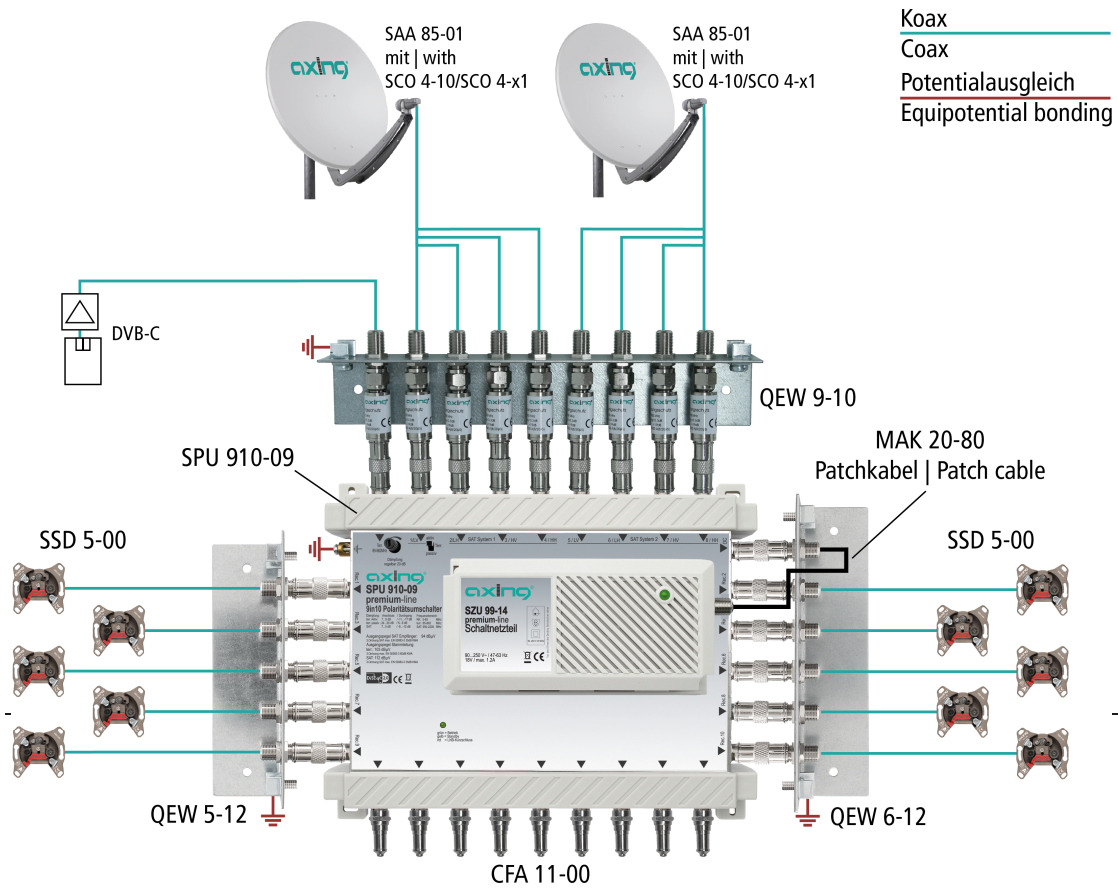
Type	SPU 910-09
Order no.	SPU91009
GTIN	7611682130980
PE	1
VE	1
EU customs tariff number	85291095



### Technical data

Inputs	
Number	9
Frequency range	5 ... 862 MHz   950 ... 2200 MHz
Attenuator adjustment range TERR, switchable to passive	20 dB
Subscriber ports	
Number	10
Switch commands	13/18 V, 0/22 kHz, DiSEqC 2.0
Gain SAT	-7...-0 dB
Gain TERR active	-7...-5 dB
Gain TERR passive	-24...-30 dB
Isolation	>26 dB
Switching isolation	>26 dB
Max. output level SAT (3rd order SAT EN 50083:3 35dB KMA, 2 sender test method)	94 dB $\mu$ V
Current consumption per port (without LNB supply)	25 mA
Trunk outputs	
Number	9
Gain TERR active	11...17 dB
Gain TERR passive	-6...-9 dB
Gain SAT	11 dB
Max. output level TERR (3rd order EN 50083:3, 60 dB KMA)	103 dB $\mu$ V
Max. output level trunk SAT (3rd order EN 50083:3, 35 dB KMA, 2 sender test method)	112 dB $\mu$ V
Isolation	>26 dB
Rejection (SAT   TERR)	>40 dB
Connectors	
Connector type	F
General	
Switching power supply	90...250 V~   47-63 Hz   18 V~/1.2 A
Power indicator	LED
Power consumption without LNB supply (TERR passive   active)	5.9   7.8 W
Power consumption in Stand-by (TERR passive   active)	2.3   4.1 W
Equipotential bonding connection	4 mm <sup>2</sup>
Operating temperature range (acc. to EN 60065)	-20...+50°C
Dimensions (W x H x D) appr.	255 x 180 x 85 mm
Weight	1.210 kg
IP code	IP20

## Example of use



## Suitable products

QEW 9-10 Earthing angle | single-rowed | surge protection

QEW 6-12 Earthing angle | single-rowed | quickfix

MAK 20-80 F | patch cable | axial connectors male | double shielded | 0.20 m

CFA 11-00 Terminating resistor | 75 Ohm | DC isolated

CFA 4-01 Adapter F/F | Quickfix