

SPU 5518-09 Cascade unit | 5 in 18 | premium-line



- ✓ For up to 18 subscribers
- ✓ Passive satellite and terrestrial path
- ✓ For cascadable 5 in x SAT systems
- ✓ Optimized for the use with SPU 5xx-09
- ✓ Suitable for broadband return path (EoC suitable up to 204 MHz)

Order information

Type	SPU 5518-09
Order no.	SPU551809
GTIN	7611682000504
PE	1
VE	1
EU customs tariff number	85291095



Technical data

Inputs

Number	5
Frequency range	5 ... 862 MHz 950 ... 2200 MHz

Subscriber ports

Number	18
Tap loss TERR	28 dB
Tap loss SAT	20...17 dB
Isolation	>26 dB
Switching isolation	>26 dB

Trunk outputs

Number	5
Through loss TERR	6 dB
Through loss SAT	3...6 dB
Isolation	>30 dB
Rejection (SAT TERR)	>40 dB

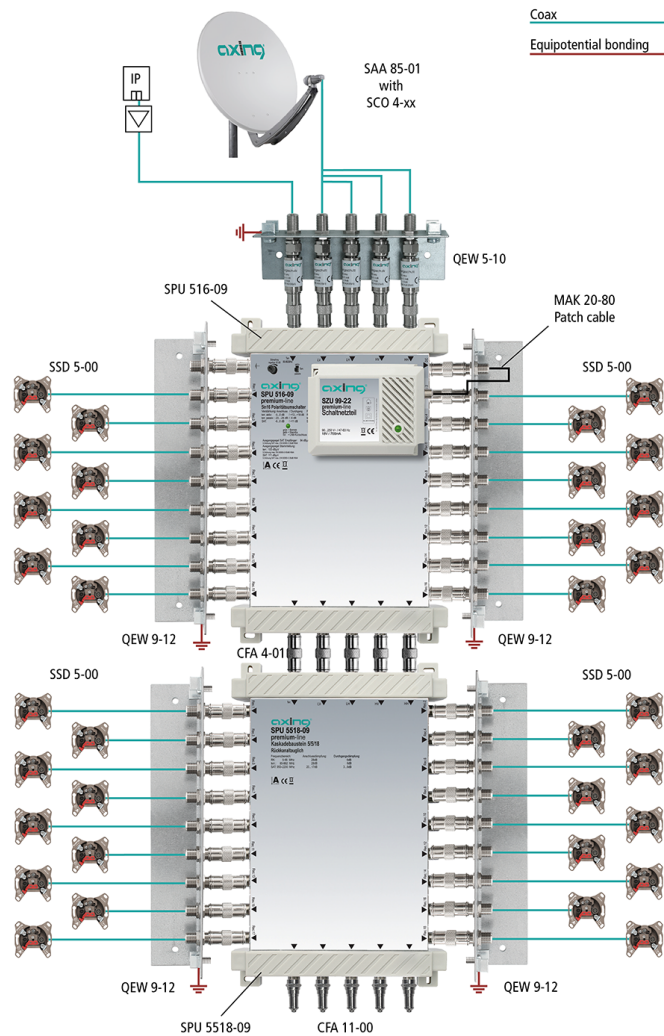
Connectors

Connector type	F
----------------	---

General

Operating temperature range (acc. to EN 60065)	-20...+50°C
Dimensions (W x H x D) appr.	170 x 255 x 40 mm
Weight	0.850 kg

Example of use



Suitable products

[QEW 9-12 Earthing angle | single-rowed | quickfix](#)

[CFA 11-00 Terminating resistor | 75 Ohm | DC isolated](#)

[CFA 4-01 Adapter F/F | Quickfix](#)