

SPU 5512-09 Cascade unit | 5 in 12 | premium-line



- ✓ For up to 12 subscribers
- ✓ Passive satellite and terrestrial path
- ✓ For cascadable 5 in x SAT systems
- ✓ Optimized for the use with SPU 5xx-09
- ✓ Suitable for broadband return path (EoC suitable up to 204 MHz)

Order information

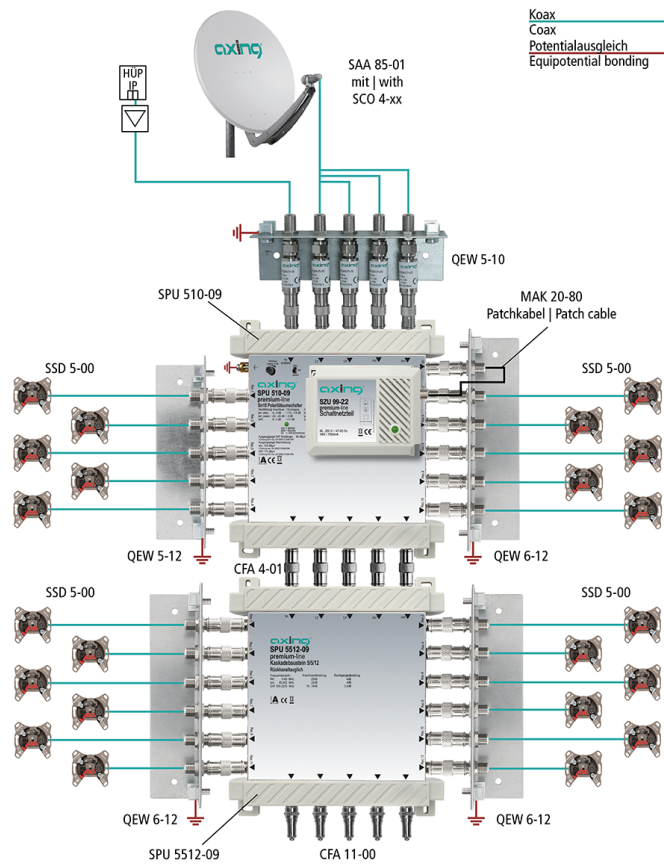
Type	SPU 5512-09
Order no.	SPU551209
GTIN	7611682000511
PE	1
VE	1
EU customs tariff number	85291095



Technical data

Inputs	
Number	5
Frequency range	5 ... 862 MHz 950 ... 2200 MHz
Subscriber ports	
Number	12
Tap loss TERR	25 dB
Isolation	>26 dB
Switching isolation	>26 dB
Trunk outputs	
Number	5
Through loss TERR	4 dB
Isolation	>30 dB
Through loss SAT	3.5 dB
Rejection (SAT TERR)	>40 dB
Connectors	
Connector type	F
General	
Operating temperature range (acc. to EN 60065)	-20...+50°C
Dimensions (W x H x D) appr.	170 x 190 x 40 mm
Weight	0.675 kg

Example of use



Suitable products

- [QEW 6-12 Farthing angle | single-rowed | quickfix](#)
- [CFA 11-00 Terminating resistor | 75 Ohm | DC isolated](#)
- [CFA 4-01 Adapter F | F | Quickfix](#)