

## SPU 516-05 Multiswitch | 5 in 16 | basic-line



- ✓ For up to 16 subscribers
- ✓ Active satellite path, passive terrestrial path
- ✓ Suitable for broadband return path (EoC suitable up to 204 MHz)
- ✓ Suitable for Quad LNB
- ✓ Switching power supply

## Order information

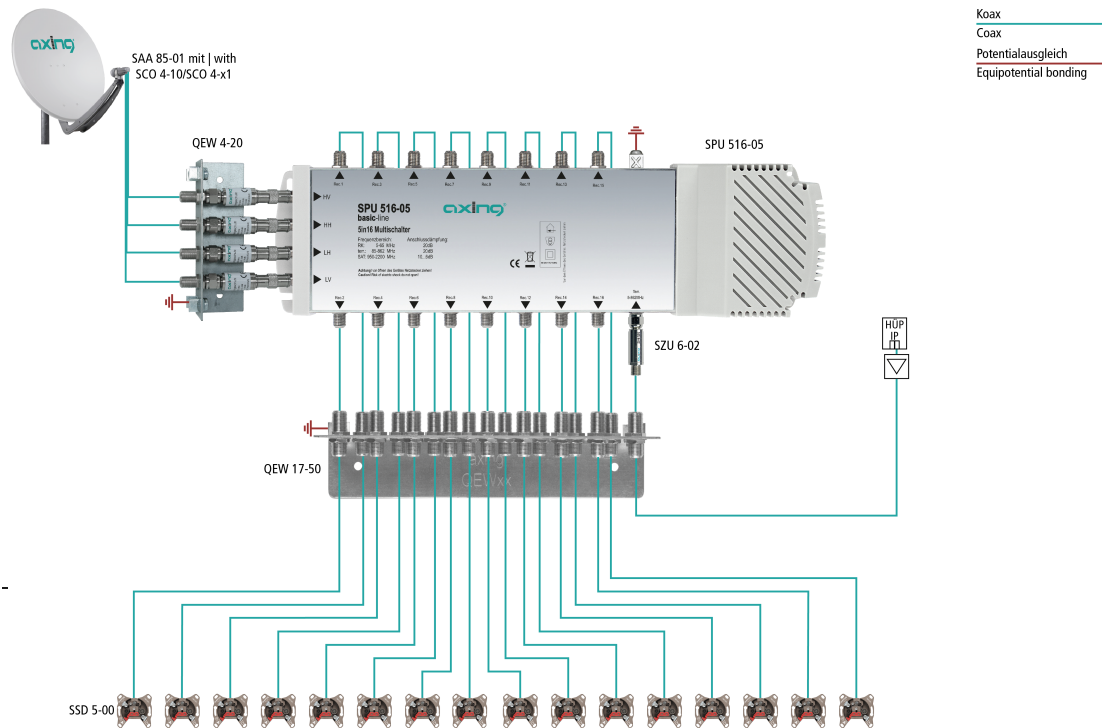
Type	SPU 516-05
Order no.	SPU51605
GTIN	7611682135176
PE	1
VE	1
EU customs tariff number	85291095



## Technical data

Inputs	
Number	5
Frequency range	5 ... 862 MHz   950 ... 2200 MHz
Isolation V   H	25 dB
Isolation SAT inputs   SAT inputs	30 dB
Isolation TERR   SAT	50 dB
Subscriber ports	
Number	16
Tap loss TERR	20 dB
Tap loss SAT	10...6 dB
Isolation	35 dB
Max. output level SAT (3rd order SAT EN 50083:3 35dB KMA, 2 sender test method)	90 dB $\mu$ V
Connectors	
Connector type	F
General	
Switching power supply	90...250 V~   47-63 Hz   18 V=0.5 A
Power consumption	5.3 W
Equipotential bonding connection	4 mm <sup>2</sup>
Operating temperature range (acc. to EN 60065)	-20...+50°C
Dimensions (W x H x D) appr.	355 x 125 x 50 mm
Weight	0.805 kg
IP code	IP20

## Example of use



## Suitable products

QEW 4-20 Earthing angle | single-rowed | surge protection