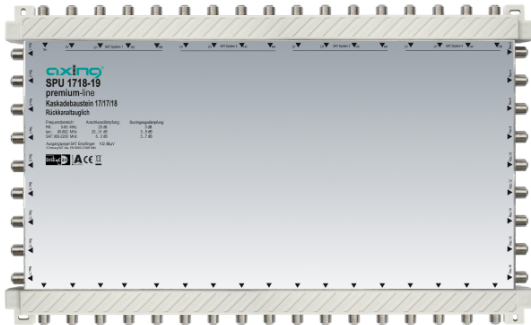


SPU 1718-19 Cascade unit | 17 in 18 | premium-line



- ✓ For up to 18 subscribers
- ✓ Active satellite and passive terrestrial path
- ✓ For cascadable 17 in x SAT systems
- ✓ Optimized for the use with SPU 1716-09
- ✓ Suitable for broadband return path (EoC suitable up to 204 MHz)

Order information

Type	SPU 1718-19
Order no.	SPU171819
GTIN	7611682003451
PE	1
VE	1
EU customs tariff number	85291095



Technical data

Inputs

Number	17
Frequency range	5 ... 862 MHz 950 ... 2200 MHz

Subscriber ports

Number	18
Switch commands	13/18 V, 0/22 kHz, DiSEqC 2.0
Tap loss TERR	25...31 dB
Tap loss SAT active	6...3 dB
Isolation	>26 dB
Switching isolation	>26 dB
Max. output level SAT (3rd order SAT EN 50083 3 35dB KMA, 2 sender test method)	102 dB μ V

Trunk outputs

Number	17
Through loss TERR	3...5 dB
Through loss SAT	3...7 dB
Isolation	>26 dB
Rejection (SAT TERR)	>40 dB

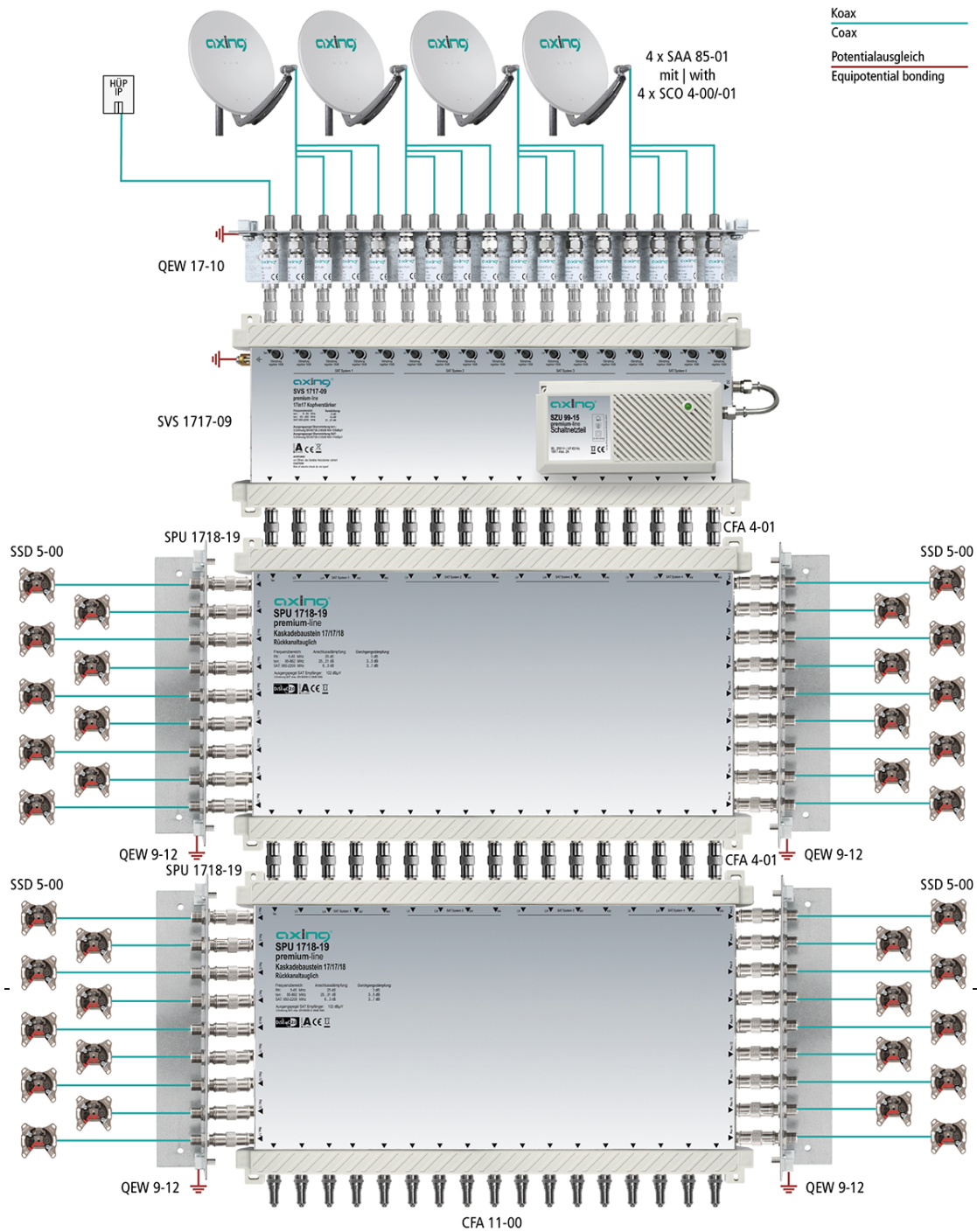
Connectors

Connector type	F
----------------	---

General

Equipotential bonding connection	4 mm ²
Operating temperature range (acc. to EN 60065)	-20...+50°C
Dimensions (W x H x D) appr.	407 x 255 x 40 mm
Weight	2.050 kg
IP code	IP20

Example of use



Suitable products

- [QEW 9-12 Earthing angle | single-rowed | quickfix](#)
- [CFA 11-00 Terminating resistor | 75 Ohm | DC isolated](#)
- [CFA 4-01 Adapter F/F | Quickfix](#)