

SPU 1712-06 Multiswitch stand-alone/cascade unit | 17 in 12 | basic-line



- ✓ For up to 12 subscribers
- ✓ Subscriber ports SAT active, terrestrial passive
- ✓ Suitable for broadband return path (EoC suitable up to 204 MHz)
- ✓ Powered by ext. power supply SZU 99-06 (not included in delivery) or via the SAT-IF trunk lines
- ✓ Cascadable - Cascade outputs must be terminated with DC-isolated 75 Ohm terminating resistors (e.g. CFA 11-00, not included in delivery)

Order information

Type	SPU 1712-06
Order no.	SPU171206
GTIN	7611682005493
PE	1
VE	1
EU customs tariff number	85291095



Technical data

Inputs

Number	17
Frequency range	5...862 MHz 950...2400 MHz
Max. LNB current	1500 mA

Subscriber ports

Number	12
Switch commands	13/18 V, 0/22 kHz, DiSEqC 1.0
Tap loss TERR	28 dB ±3 dB
Tap loss SAT	3...0 dB ±2 dB
Max. output level SAT (3rd order SAT EN 50083 3 35dB KMA, 2 sender test method)	102 dBµV
Current consumption per port (without LNB supply)	< 35 mA

Trunk outputs

Number	17
Through loss TERR	2...5 dB ±1.5 dB
Through loss SAT	1...3 dB ±1.5 dB

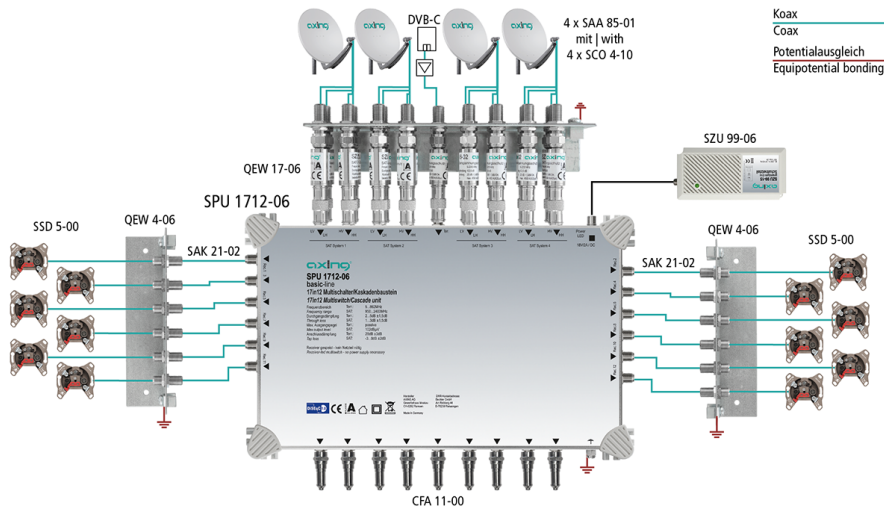
Connectors

Connector type	F
----------------	---

General

Current consumption	10 mA
Equipotential bonding connection	4 mm²
Operating temperature range (acc. to EN 60065)	-20...+50°C
Dimensions (W x H x D) appr.	291 x 189 x 63 mm
Weight	0.910 kg
IP code	IP20

Example of use



Suitable products

[QEW 17-06 Earthing angle | two-rowed | surge protection](#)

[QEW 6-06 Earthing angle | single-rowed](#)

[SAK 21-02 F | Quickfix | patch cable | right-angle connectors | double shielded | 0.20 m](#)

[SAK 41-02 F | Quickfix | patch cable | right-angle connectors | double shielded | 0.40 m](#)

[CFA 11-00 Terminating resistor | 75 Ohm | DC isolated](#)

[CFA 4-01 Adapter F/F | Quickfix](#)