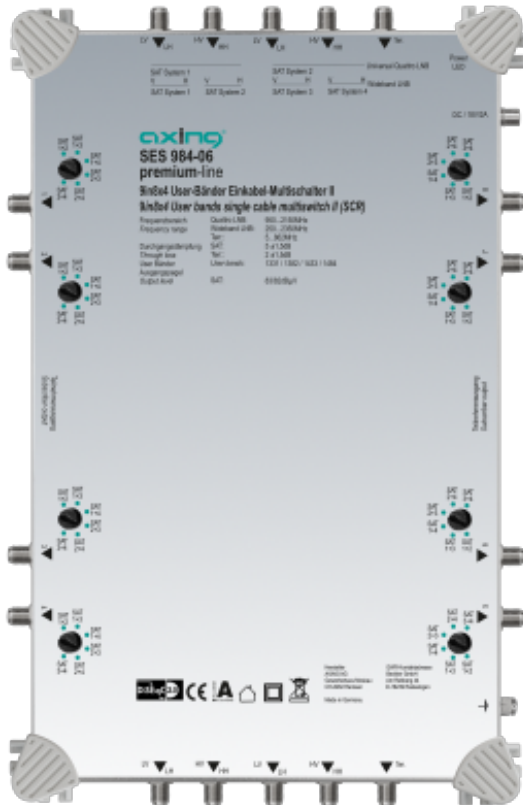


SES 984-06 Single cable multiswitch II (SCR) | 9 in 8 × 4 | premium-line



- ✓ 2 SAT positions with quattro LNB
- ✓ 4 SAT positions with wideband LNBs (EN 50607 only)
- ✓ 2 out of 4 SAT positions with wideband LNBs (EN 50494)
- ✓ With terrestrial feed-in
- ✓ Suitable for broadband return path (EoC suitable up to 204 MHz)
- ✓ Cascadable
- ✓ 8 outputs with 4 user bands each
- ✓ Single cable I and II compatible (according to EN 50607 and EN 50494)
- ✓ Interference-free, no interference across flats when using programmable SSD 6-xx antenna wall outlets
- ✓ Alternatively up to 8 legacy outputs (not with wideband LNBs or SSD 6-xx)
- ✓ Ext. power supply SZU 99-06 needed (not included in delivery)

Order information

Type	SES 984-06
Order no.	SES98406
GTIN	7611682006100
PE	1
VE	1
EU customs tariff number	85291095



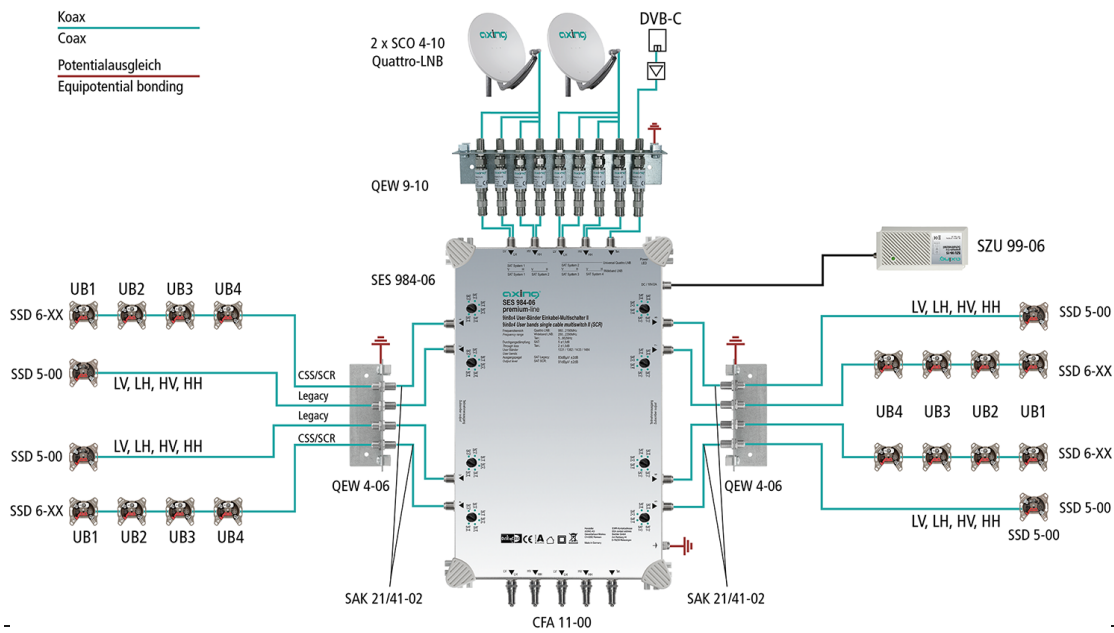
Technical data

Inputs	
Number	9
Frequency range	5...862 MHz @ TERR 250...2350 MHz @ SAT
LNB voltage	12 V
Max. LNB current	500 mA per LNB 1000 mA total
Level	60... 90 dBµV
Isolation V H	30 dB
Subscriber ports	
Number	8
Supported standards	EN 50494, EN 50607
Tap loss TERR	22 dB
Frequency range (SAT)	950...2150 MHz
User bands	8 × 4
User band frequencies	1331/1382/1433/1484 MHz
Output level SAT (SCR/CSS)	83/82 dBµV*
Output level SAT (Legacy)	83/82 dBµV*
Current consumption from STB (SCR/CSS)	180 mA
Current consumption from STB (Legacy)	60 mA
Trunk outputs	
Number	9
Through loss TERR	2 dB ±2.0 dB
Through loss SAT	5 dB ±2.0 dB

Connectors

Connector type	F
Return loss	≥ 10 dB
General	
Equipotential bonding connection	4 mm ²
Operating temperature range (acc. to EN 60065)	-20...70°C
Dimensions (W × H × D) appr.	205 × 310 × 63 mm
Weight	1.05 kg
Comments	*AGC

Example of use



Der Einkabel-Multischalter erkennt automatisch, welchen Modus der angeschlossene Receiver benötigt und stellt das passende Signal zur Verfügung (im Einkabelmodus die Userbänder, im Legacy-Modus die jeweilige Polarisationsebene). Die Erkennung erfolgt für jeden Teilnehmerausgang separat.
Der Legacy-Modus kann nicht mit programmierbaren Antennensteckdosen SSD 6-xx verwendet werden!
Der Legacy-Modus kann nicht mit Wideband-LNBs verwendet werden!

The single-cable multiswitch automatically detects which mode the connected receiver requires and provides the appropriate signal (in single-cable mode the user bands, in legacy mode the respective polarization level). Detection takes place separately for each subscriber output.
Legacy mode can not be used with programmable antenna sockets SSD 6-xx!
Legacy mode can not be used with wideband LNBs!

Suitable products

[QEW 9-06 Earthing angle | two-rowed | surge protection](#)

[QEW 4-06 Earthing angle | single-rowed](#)

[SAK 21-02 F | Quickfix | patch cable | right-angle connectors | double shielded | 0.20 m](#)

[SAK 41-02 F | Quickfix | patch cable | right-angle connectors | double shielded | 0.40 m](#)

[CFA 11-00 Terminating resistor | 75 Ohm | DC isolated](#)

[CFA 4-01 Adapter F | F | Quickfix](#)

[SZU 99-06 Switching mode power supply 18 V=/2 A](#)