

SES 5816-06 Single cable multiswitch II (SCR) | 5 in 8 × 16 | premium-line



- ✓ 1 SAT position with quattro LNB
- ✓ 2 SAT positions with wideband LNBs
- ✓ With terrestrial feed-in
- ✓ Suitable for broadband return path (EoC suitable up to 204 MHz)
- ✓ Cascadable
- ✓ 8 outputs and 16 user bands
- ✓ Single cable I and II compatible
- ✓ No interference across flats when using programmable SSD 6-xx antenna wall outlets
- ✓ Alternatively up to 8 legacy outputs (not with wideband LNBs or SSD 6-00)
- ✓ Supply via external power supply unit SZU 99-06 (not included in delivery), for cascades up to 3 × SES 5816-06 usually only one power supply unit is needed

Order information

Type	SES 5816-06
Order no.	SES581606
GTIN	7611682008654
PE	1
VE	1
EU customs tariff number	85291095



Technical data

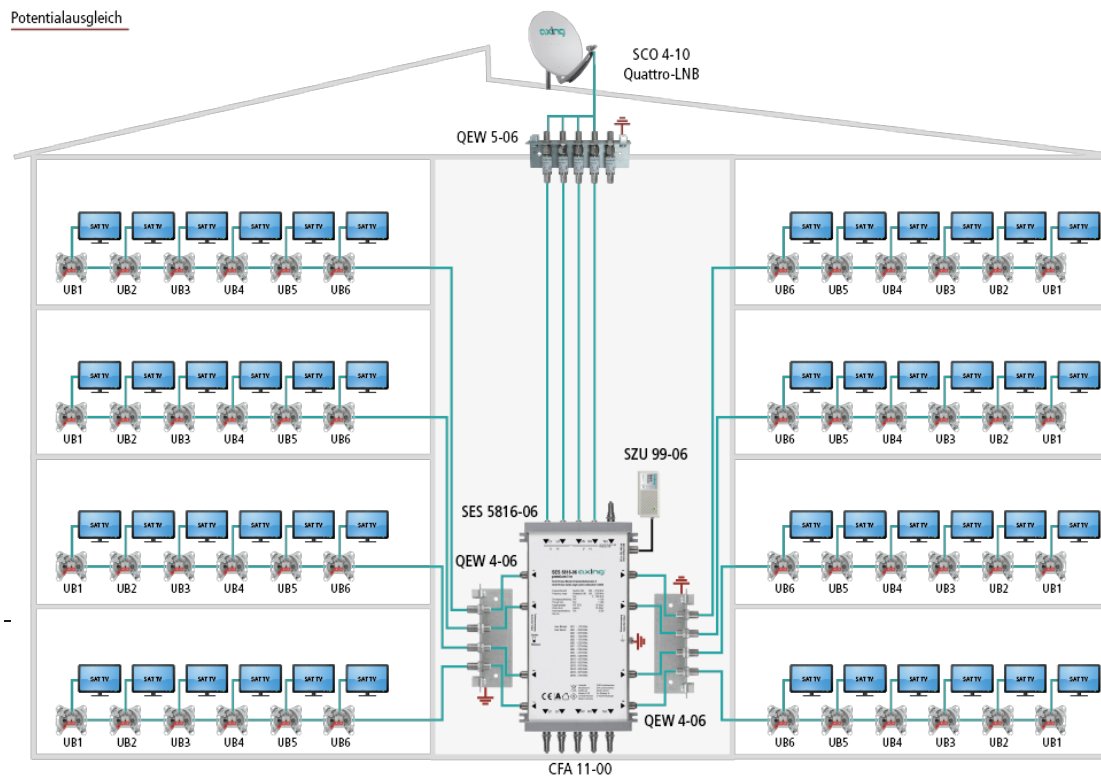
Inputs	
Number	5
Frequency range	5 ... 862 MHz @ TERR 300 ... 2350 MHz @ SAT
LNB voltage	15 ... 18 V
Max. LNB current	500 mA
Level	60 ... 90 dBµV
Isolation V H	25 dB
Electrical data	
Impedance	Teilnehmeranschlüsse#Ausgangspegel SAT (SCR/CSS)
Subscriber ports	
Number	8
Supported standards	EN 50494, EN 50607
Tap loss TERR	25 dB ±2 dB
Frequency range (SAT)	950 ... 2150 MHz
User bands	8 × 16
User band frequencies	975/1025/1075/1125/1175/1225/1275/1325 MHz @ EN 50494/50607* 1375/1425/1475/1525/1575/1625/1675/1725 MHz @ EN 50607*
Output level SAT (SCR/CSS)	94 dBµV ±3 dB**
Output level SAT (Legacy)	78 dBµV ±4 dB
Current consumption from STB (SCR/CSS)	180 mA
Current consumption from STB (Legacy)	60 mA
Electrical data	
Return loss	≥ 10 dB
Screening factor	Anschlüsse#Anschlusstyp
Trunk outputs	
Number	5
Through loss TERR	< 2 dB
Through loss SAT	< 2 dB
Connectors	
Connector type	F-female
Return loss	10 dB
General	
Operating voltage	18 VDC

Current consumption	480 mA***
Connector DC	F-female
Maximum supply current	1 A****
Equipotential bonding connection	4 mm ²
Operating temperature range (acc. to EN 60065)	-20 ... 55 °C
Dimensions (W x H x D) appr.	250 x 142 x 60 mm
Comments	* Customised user band configuration possible. ** Automatic Gain Control (AGC) *** Without LNB **** The LNB, the SES 5816-06 and any connected cascade units are supplied via the DC input.

Example of use

Koax

Potentialausgleich



Suitable products

[QEW 5-06 Earthing angle | single-rowed | surge protection](#)
[SAK 21-02 F | Quickfix | patch cable | right-angle connectors | double shielded | 0.20 m](#)
[SAK 41-02 F | Quickfix | patch cable | right-angle connectors | double shielded | 0.40 m](#)
[QEW 8-06 Earthing angle | single-rowed](#)
[CFA 11-00 Terminating resistor | 75 Ohm | DC isolated](#)
[CFA 4-01 Adapter F | F | Quickfix](#)
[SZU 99-06 Switching mode power supply 18 V=2 A](#)
[SSD 6-07 Programmable single cable end outlet terminated 7 dB | 5 ... 2200 MHz | CATV | SAT](#)
[SSD 6-10 Programmable single cable loop-through outlet 10 dB | 5 ... 2200 MHz | CATV | SAT](#)
[SSD 6-14 Programmable single cable loop-through outlet 14 dB | 5 ... 2200 MHz | CATV | SAT](#)
[SSD 6-18 Programmable single cable loop-through outlet 14 dB | 5 ... 2200 MHz | CATV | SAT](#)
[SSD 5-07 SAT end outlet terminated 7 dB | 5...2200 MHz | CATV | SAT](#)
[SSD 5-10 SAT loop-through outlet 10 dB | 5...2200 MHz | CATV | SAT](#)
[SSD 5-14 SAT loop-through outlet 14 dB | 5...2200 MHz | CATV | SAT](#)
[SSD 5-18 SAT loop-through outlet 18 dB | 5...2200 MHz | CATV | SAT](#)