

SES 5532-19 Programmable Unicable II multiswitch | premium-line



- ✓ 1 SAT position with quattro LNB
- ✓ 2 SAT-positions when using a wideband-LNB
- ✓ 4 SAT positions by connecting two SES 5532-19 using a system connector SZU 55-02
- ✓ With terrestrial feed-in
- ✓ Cascadable
- ✓ Up to 32 user bands
- ✓ According to EN 50607 (Unicable II) and EN 50494 (Unicable I)
- ✓ Alternatively 32 fixed transponders (static-mode) for unlimited numbers of receivers
- ✓ Interference-free, no interference across flats when using programmable SSD 6-xx antenna wall outlets
- ✓ Including power supply and power inserter

Order information

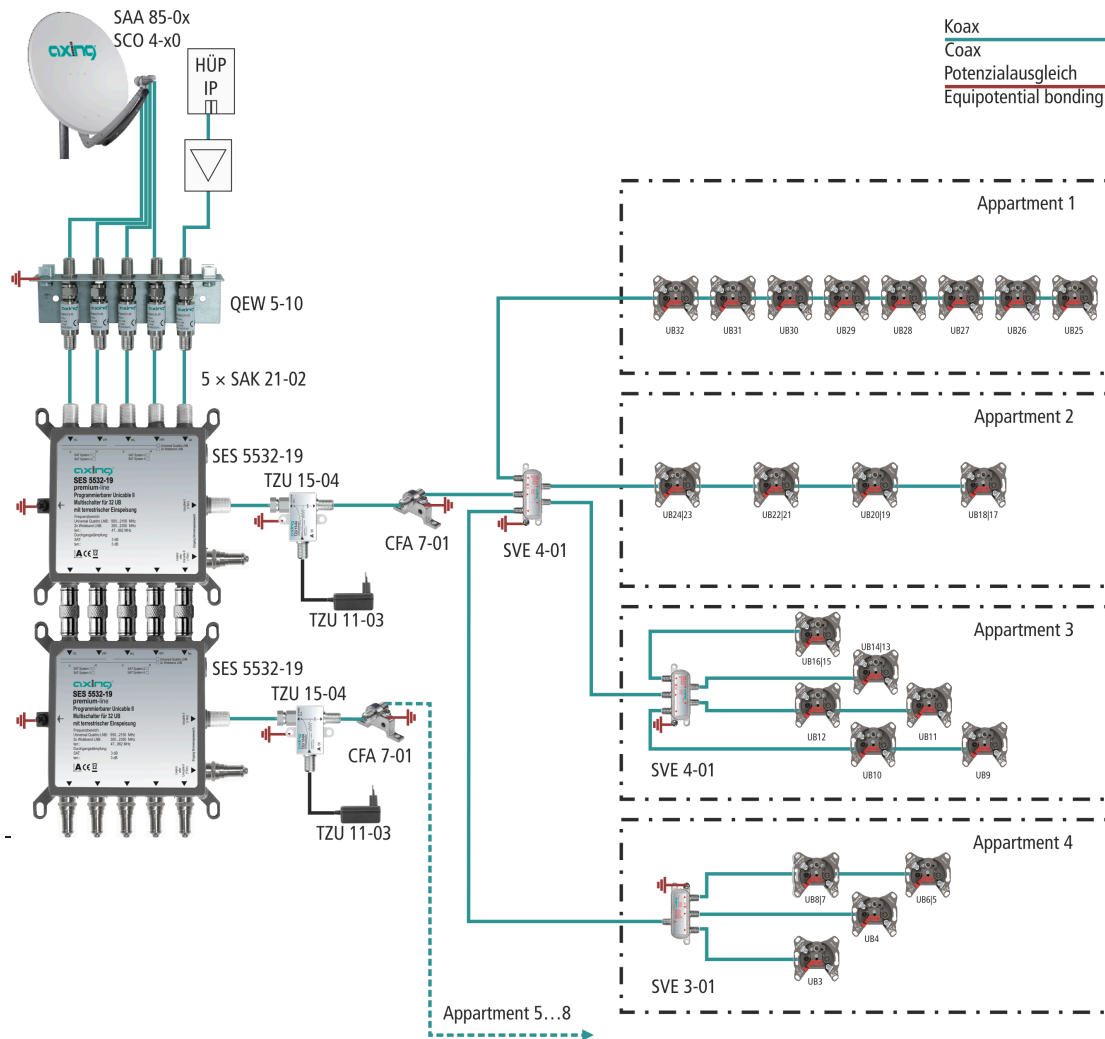
Type	SES 5532-19
Order no.	SES553219
GTIN	7611682004762
PE	1
VE	1
EU customs tariff number	85291095



Technical data

Inputs	
Number	5
Frequency range	5...862 MHz @ TERR 250...2350 MHz @ SAT
Level	59...94 dBµV
Isolation V H.	>25 dB
Subscriber ports	
Number	2
Supported standards	EN 50494, EN 50607
Tap loss TERR	13 dB
Frequency range (SAT)	950...2150 MHz
User bands	32
Gain SAT Unicable II (SCR/CSS)	25 dB
Gain SAT (Legacy)	10 dB
Output level SAT (SCR/CSS)	84 dBµV
Trunk outputs	
Number	5
Through loss TERR	3 dB
Through loss SAT	3 dB
Connectors	
Connector type	F
General	
Current consumption	500 mA
Equipotential bonding connection	4 mm²
Dimensions (W × H × D) appr.	195 × 145 × 85 mm
Weight	0.210 kg
IP code	IP20
External accessories	
Switching power supply	100...240 VAC / 50...60 Hz 19 VDC/940 mA
Power inserter	5...2400 MHz 18V/750 mA

Example of use



Suitable products

- [QEW 5-10 Earthing angle | single-rowed | surge protection](#)
- [SAK 21-02 F | Quickfix | patch cable | right-angle connectors | double shielded | 0.20 m](#)
- [SZU 55-02 Singlecable system combiner](#)