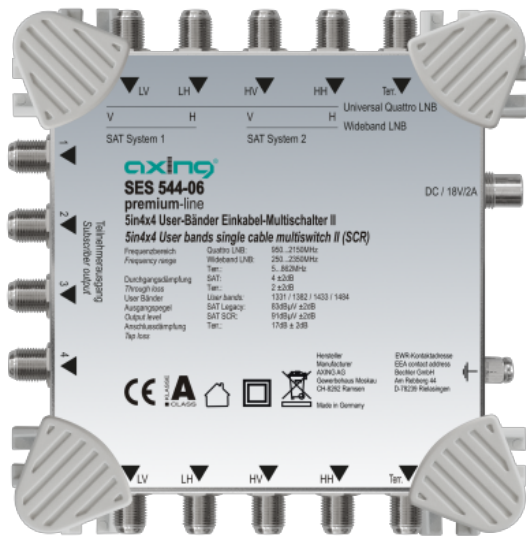


SES 544-06 Einkabel-Multischalter II | 5 in 4 × 4 | premium-line



- ✓ 1 SAT position with quattro LNB
- ✓ 2 SAT positions with wideband LNBS
- ✓ With terrestrial feed-in
- ✓ Cascadable
- ✓ 4 outputs with 4 user bands each
- ✓ Single cable I and II compatible (according to EN 50607 and EN 50494)
- ✓ Interference-free in conjunction with the programmable antenna sockets SSD 6-xx
- ✓ Alternatively up to 4 legacy outputs (not with wideband LNBS or programmable antenna sockets SSD 6-xx)
- ✓ Receiver-fed if one Quattro LNB is used
- ✓ If more than one LNB is used, ext. power supply SZU 99-06 needed (not included in delivery)

Order information

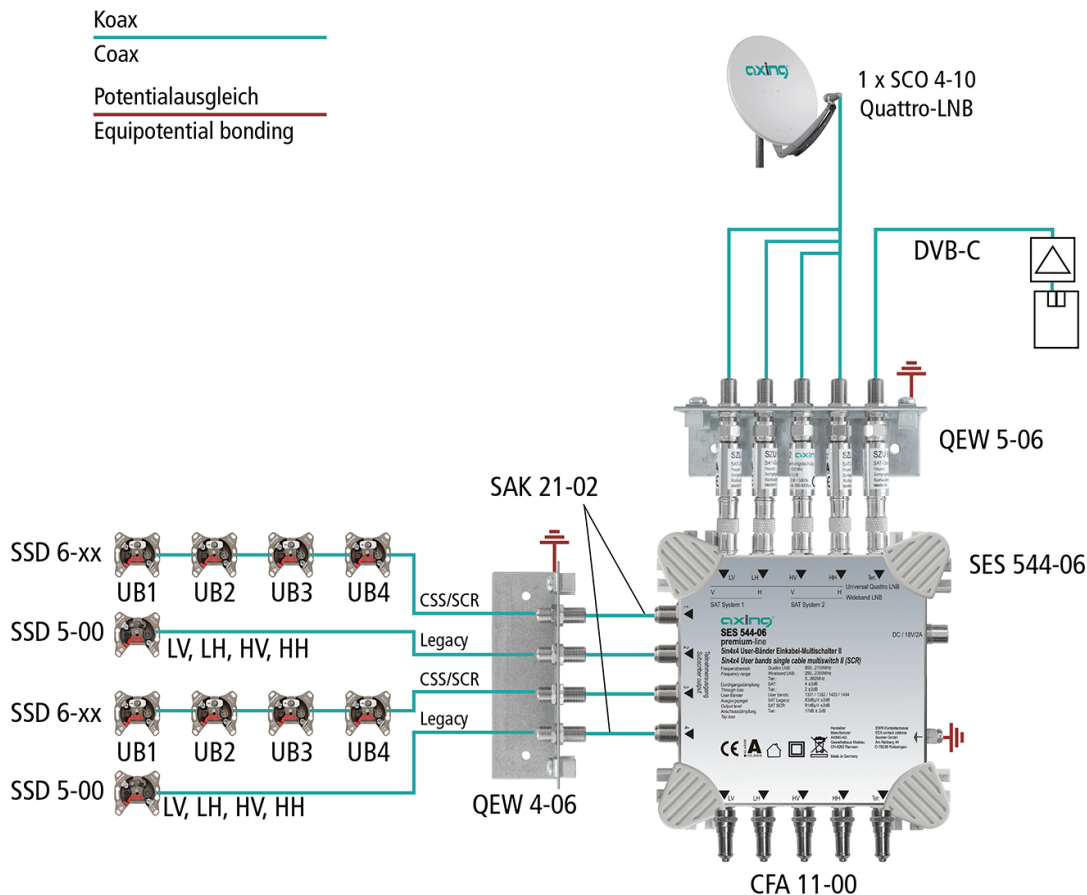
Type	SES 544-06
Order no.	SES54406
GTIN	7611682006087
PE	1
VE	1
EU customs tariff number	85291095



Technical data

Inputs	
Number	5
Frequency range	5...862 MHz @ TERR 250...2350 MHz @ SAT
LNB voltage	12 V
Max. LNB current	500 mA per LNB 1000 mA total
Isolation V H.	30 dB
Subscriber ports	
Number	4
Supported standards	EN 50494, EN 50607
Tap loss TERR	17 dB ±2,0 dB
Frequency range (SAT)	950...2150 MHz
User bands	4 × 4
User band frequencies	1331/1382/1433/1484 MHz
Output level SAT (SCR/CSS)	91 dBµV ±2,0 dB
Output level SAT (Legacy)	83 dBµV ±2,0 dB
Current consumption from STB (SCR/CSS)	180 mA
Current consumption from STB (Legacy)	60 mA
Trunk outputs	
Number	5
Through loss TERR	2 dB ±2,0 dB
Through loss SAT	4 dB ±2,0 dB
Connectors	
Connector type	F
Return loss	≥ 10 dB
General	
Equipotential bonding connection	4 mm²
Operating temperature range (acc. to EN 60065)	-20...70°C
Dimensions (W × H × D) appr.	140 x 140 x 63 mm
Weight	0,394 kg

Example of use



Der Einkabel-Multischalter erkennt automatisch, welchen Modus der angeschlossene Receiver benötigt und stellt das passende Signal zur Verfügung (im Einkabelmodus die Userbänder, im Legacy-Modus die jeweilige Polarisationssebene). Die Erkennung erfolgt für jeden Teilnehmerausgang separat. **Der Legacy-Modus kann nicht mit programmierbaren Antennensteckdosen SSD 6-xx verwendet werden!** **Der Legacy-Modus kann nicht mit Wideband-LNBs verwendet werden!**

The single-cable multiswitch automatically detects which mode the connected receiver requires and provides the appropriate signal (in single-cable mode the user bands, in legacy mode the respective polarization level). Detection takes place separately for each subscriber output. **Legacy mode can not be used with programmable antenna sockets SSD 6-xx!** **Legacy mode can not be used with wideband LNBs!**

Suitable products

[QEW 5-06 Earthing angle | single-rowed | surge protection](#)

[QEW 4-06 Earthing angle | single-rowed](#)

[CFA 11-00 Terminating resistor | 75 Ohm | DC isolated](#)

[CFA 4-01 Adapter F/F | Quickfix](#)