

SES 5216-06N Single cable multiswitch II (SCR) | 5 in 2 × 16 | premium-line



- ✓ 1 SAT position with quattro LNB
- ✓ 2 SAT positions with wideband LNBs
- ✓ With terrestrial feed-in
- ✓ Suitable for broadband return path (EoC suitable up to 204 MHz)
- ✓ Cascadable
- ✓ 2 outputs and 16 user bands
- ✓ Single cable I and II compatible (according to EN 50607 and EN 50494)
- ✓ No interference across flats when using programmable SSD 6-xx antenna wall outlets
- ✓ Alternatively up to 2 legacy outputs
- ✓ Supply via external power supply unit (included in delivery)

Order information

Type	SES 5216-06N
Order no.	SE521606N
GTIN	7611682401851
PE	1
VE	1
EU customs tariff number	85291095



Technical data

Inputs	
Number	5
Frequency range	5...862 MHz @ TERR 250...2350 MHz @ SAT
LNB voltage	15 ... 18 V
Max. LNB current	1000 mA
Level	60... 90 dBµV
Isolation V H	25 dB
Subscriber ports	
Number	2
Supported standards	EN 50494, EN 50607
Tap loss TERR	15 dB ±2 dB
Frequency range (SAT)	950...2150 MHz
User bands	2 × 16
User band frequencies	975/1025/1075/1125/1175/1225/1275/1325 MHz @ EN 50494/50607* 1375/1425/1475/1525/1575/1625/1675/1725 MHz @ EN 50607*
Output level SAT (SCR/CSS)	88 dBµV
Current consumption from STB (SCR/CSS)	180 mA
Current consumption from STB (Legacy)	60 mA
Trunk outputs	
Number	5
Through loss TERR	2 dB ±1.0 dB
Through loss SAT	2 dB ±2.0 dB
Connectors	
Connector type	F
Return loss	≥ 10 dB
General	
Operating temperature range (acc. to EN 60065)	-20 ... 55 °C
Operating voltage	18 VDC
Current consumption	130 mA***
Connector DC	F-female
Maximum supply current	1 A****
Equipotential bonding connection	4 mm²
Dimensions (W × H × D) appr.	130 x 100 x 40 mm

Comments

- * Customised user band configuration possible.
- ** Automatic Gain Control (AGC)
- *** Without LNB
- **** The LNB, the SES 5216-06N and any connected cascade units are supplied via the DC input.

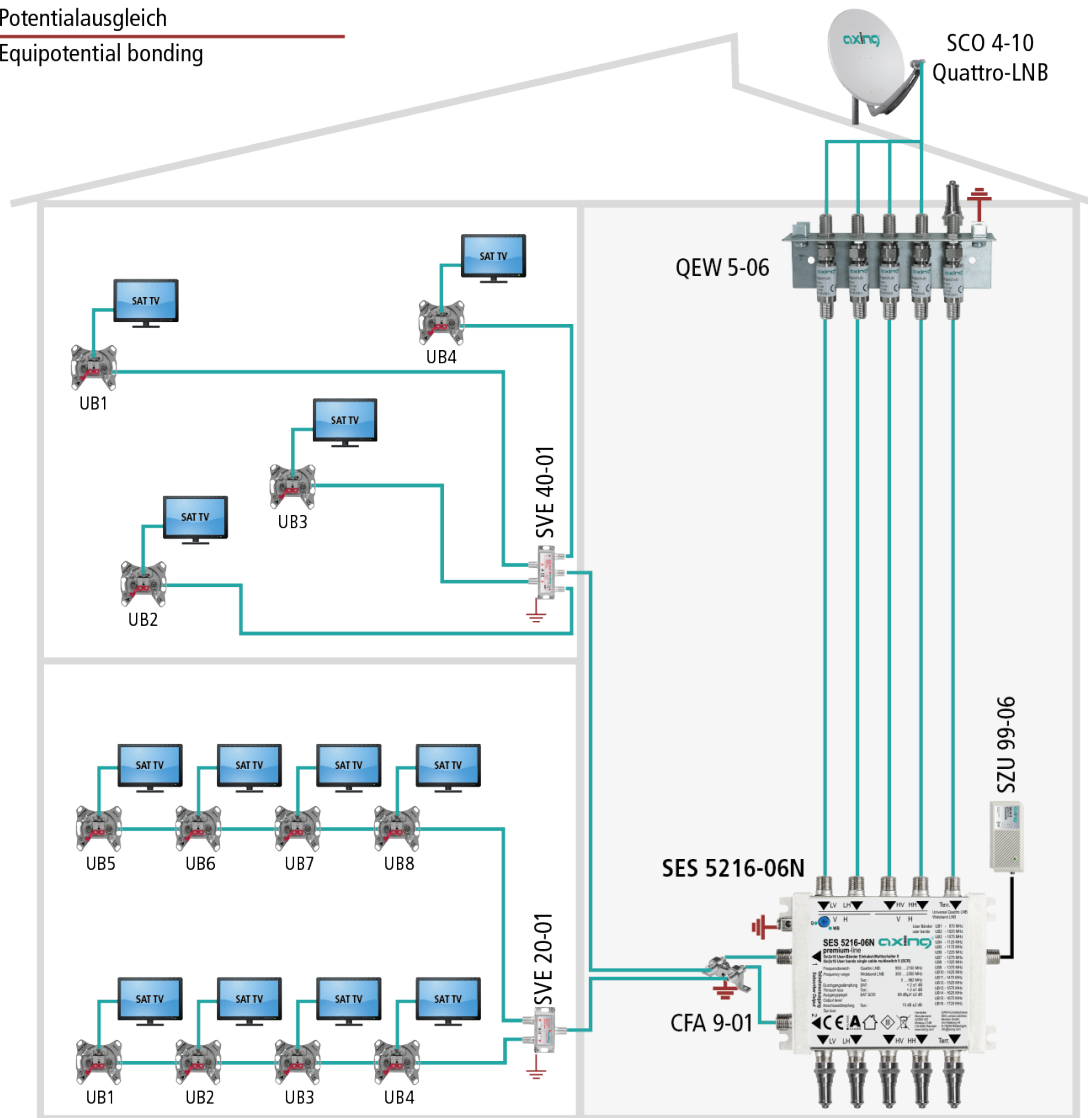
Example of use

Koax

Coax

Potentialausgleich

Equipotential bonding



Suitable products

- [QEW 5-06 Earthing angle | single-rowed | surge protection](#)
- [SAK 21-02 F | Quickfix | patch cable | right-angle connectors | double shielded | 0.20 m](#)
- [CFA 11-00 Terminating resistor | 75 Ohm | DC isolated](#)
- [SSD 5-07 SAT end outlet terminated 7 dB | 5...2200 MHz | CATV | SAT](#)
- [SSD 6-07 Programmable single cable end outlet terminated 7 dB | 5... 2200 MHz | CATV | SAT](#)
- [CFA 9-01 Earth connection block double | F | wall mounting](#)