

QEW 5-06 Earthing angle | single-rowed | surge protection



- ✓ 5-way
- ✓ Earthing and equipotential bonding acc. to EN 60728-11
- ✓ Incl. surge protection devices SZU 6-02
- ✓ With premium-line double F-sockets CFA 26-02 and quickfix adapter CFA 4-01
- ✓ For AXING multi-switch SES 52xx-06 in combination with SAK 21/41-02 connectable at the input

Order information

Type	QEW 5-06
Order no.	QEW00506
GTIN	7611682006674
PE	1
VE	1
EU customs tariff number	85366910

Wide Band
approved 2-4 GHz

Technical data

Application	SPU 5xx-06 / SES 5xx-06
Frequency range	5...2500 MHz
Screening factor acc. to EN 50083-2	> 90 dB
DC power pass	yes
Through loss	≤ 0.5 dB
Max. through current	0.5 A @ 30 VDC
Impulse discharge current	5 kA @ 8/20 μs
Connectors	
Connector type	F
Number	5
Return loss	20 dB -1.5dB/Ok.
General	
Material	surface treated
Dimensions (W × H × D) appr.	135 × 45 × 85 mm
Weight	0.352 kg

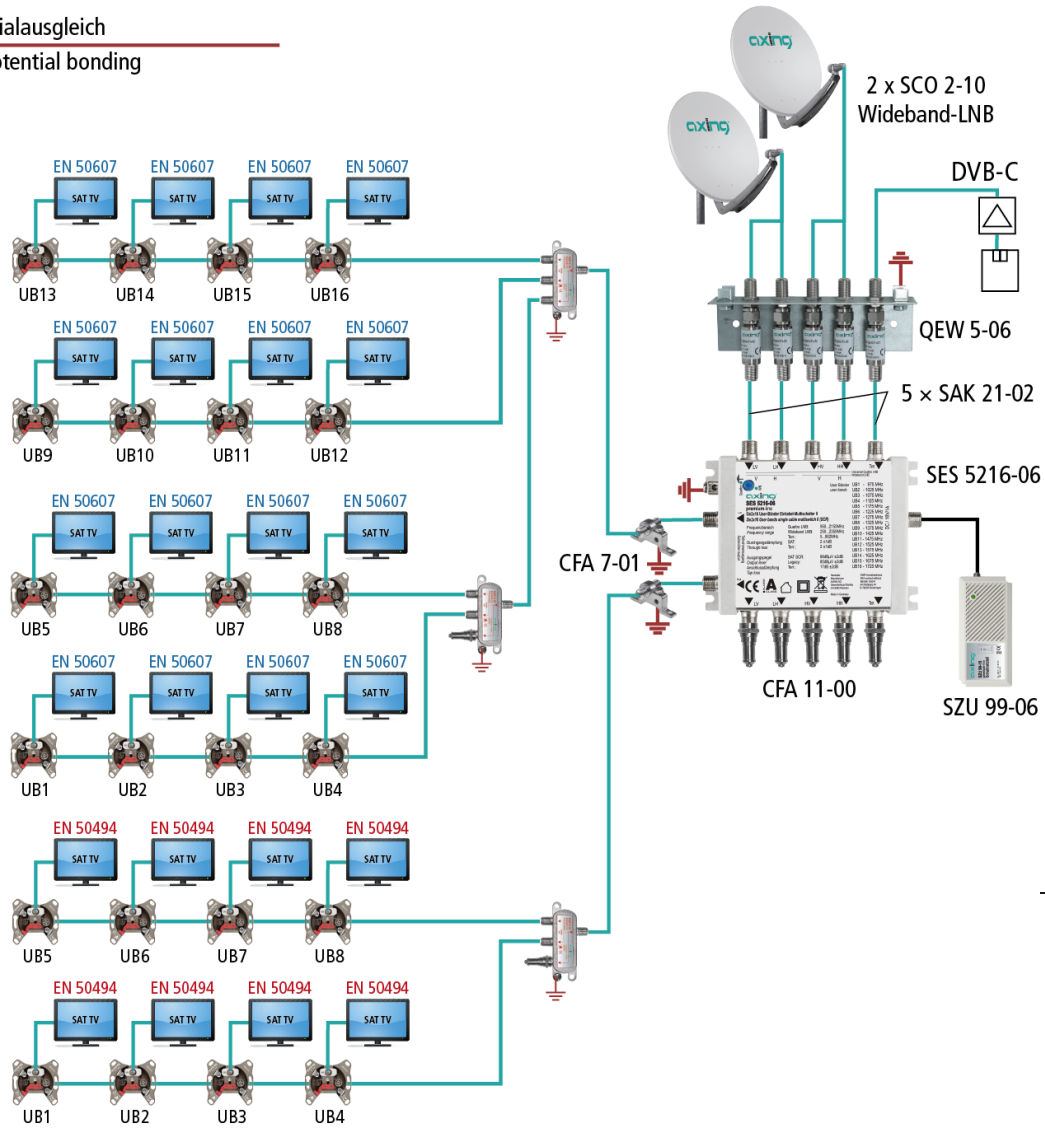
Example of use

Koax

Coax

Potentialausgleich

Equipotential bonding



Suitable products

[SAK 21-02 F | Quickfix | patch cable | right-angle connectors | double shielded | 0.20 m](#)

[SAK 41-02 F | Quickfix | patch cable | right-angle connectors | double shielded | 0.40 m](#)