

OTX 51-00 Optical transmitter



- ✓ For optical transmission of satellite signals and max. 16 channels/carriers (DVB-C, DAB+, DVB-T/T2, FM)
- ✓ Converts incoming RF signals into optical signals
- ✓ Automatic gain control
- ✓ 1 optical output (SC/APC)
- ✓ 5 cascade RF outputs

Order information

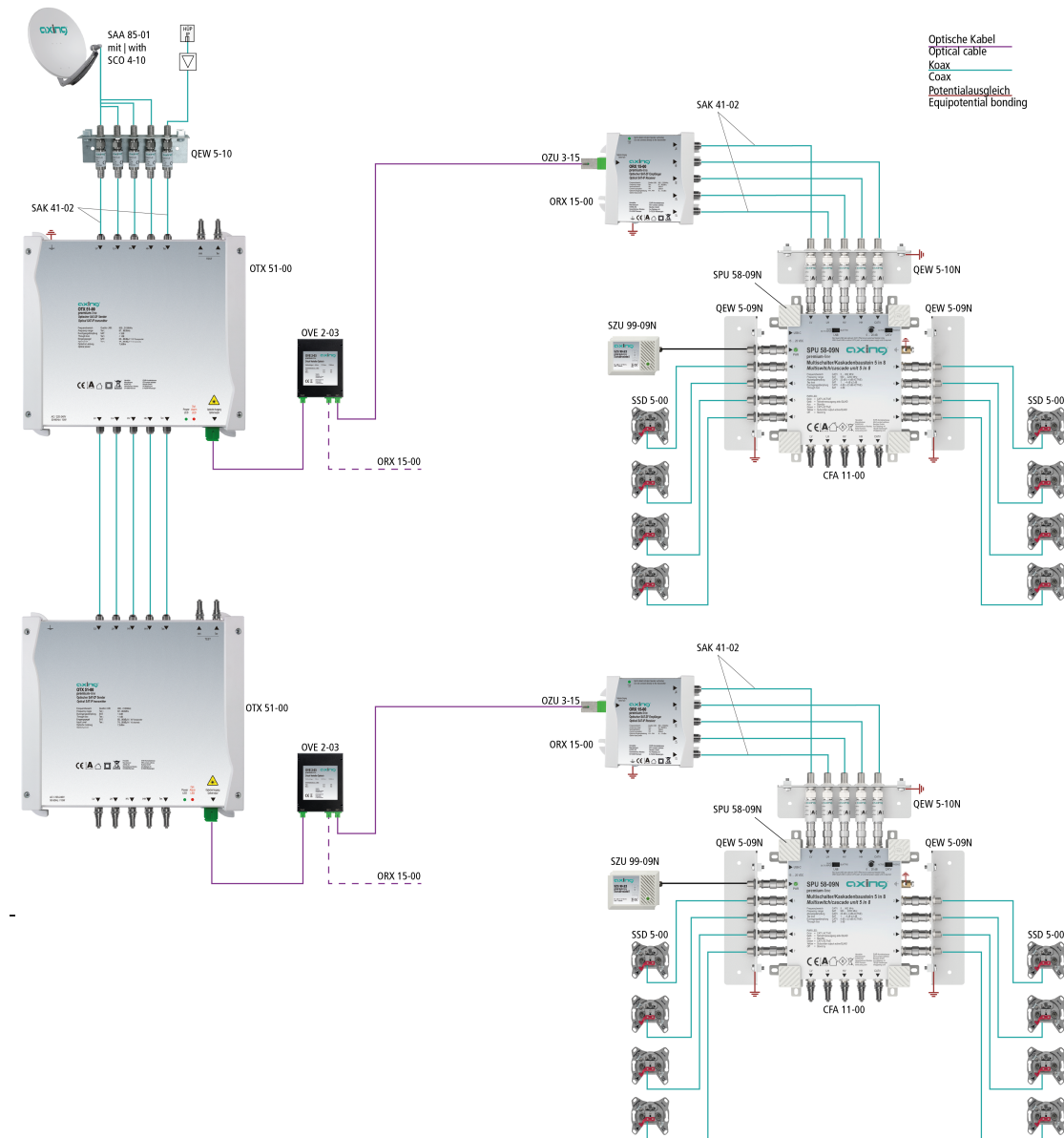
Type	OTX 51-00
Order no.	OTX05100
GTIN	7611682006919
PE	1
VE	1
EU customs tariff number	85176200



Technical data

Inputs	
Number	5
Frequency range	87 ... 862 MHz @ DVB-C/T/T2 950 ... 2150 MHz @ DVB-S/S2/S2X
Number of channels (DVB-C/T/T2)	max. 16
Input level	74 ... 80 dBμV @ DVB-C/T/T2 69 ... 86 dBμV @ DVB-S/S2/S2X
AGC level dynamics	20 dB
Max. LNB current	250 mA per input @ 14 V
Test ports	2
Test port frequency range (TERR SAT HH)	87 ... 862 950 ... 2150 MHz
Trunk outputs	
Number	5
Throug loss	< 2 dB
Type	F-female
Return loss	10 dB
RFoG	
Wavelength	1310 nm
Number of optical outputs	1
Connector type	SC/APC
Return loss	> 45 dB
Output level	+7,5 dBm
Laser class	1M
General	
Operating temperature range	-5 ... +50 °C
Operating voltage	184 ... 264 VAC/50 ... 60Hz
Power consumption	15 W
Dimensions (W × H × D) appr.	230 × 230 × 50 mm
Weight	1.880 kg

Example of use



Suitable products

ORX 14-00 Optical receiver | Quad

ORX 14-01 Optical receiver | Single cable /SCR/CSS)

ORX 15-00 Optical receiver | Quattro