

MIP 16-06 Multituner | IPTV hexadeca streamer | FTA + 6 × CI



- ✓ 16 independent multituner inputs
- ✓ Transmodulates 16 × DVB-S/S2/S2X/T/T2/C into 512 SPTS/16 MPTS
- ✓ GbE-interface with max. 900 Mbps
- ✓ Web-based configuration, remote maintenance (SMARTPortal)
- ✓ Supports SNMPv1 and SNMPv2c
- ✓ M3U playlist for the TV/radio programs of the transport stream
- ✓ Interface for CASimulcrypt Server (software extension required)
- ✓ 19" housing, 1RU
- ✓ Two redundant power supplies (hot pluggable)
- ✓ Decryption of encrypted program packages possible via CA modules (also high-speed modules)
- ✓ Flexible and efficient mapping of programs to CA modules

Order information

Type	MIP 16-06
Order no.	MIP01606
GTIN	7611682006636
PE	1
VE	1
EU customs tariff number	85176990

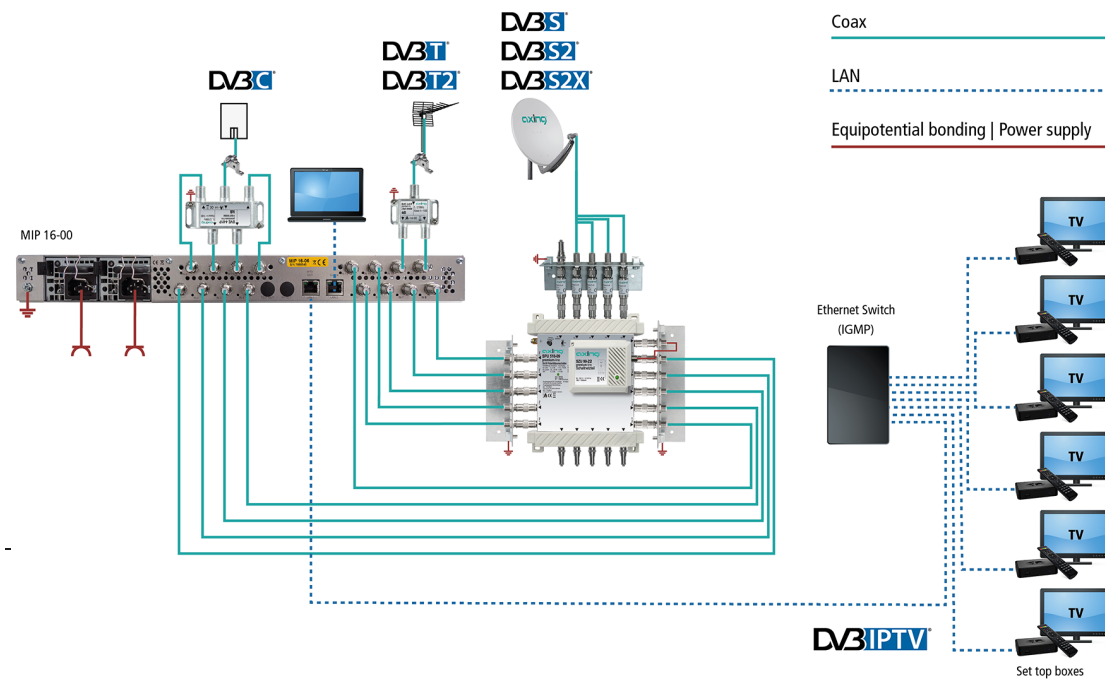


Technical data

Inputs	
Number of tuners	16 × DVB-S/S2/S2X/T/T2/C
Connector	16 × F-female
Frequency range	900...2150 MHz @ DVB-S/S2/S2X 50...898 MHz @ DVB-C 50...898 MHz @ DVB-T/T2
Input level	43...84 dBμV @ DVB-S/S2/S2X 49...84 dBμV @ DVB-C 39...84 dBμV @ DVB-T/T2
LNB voltage	13/17 V; 22 kHz on/off; DiSEqC 1.0
Max. LNB current	250 mA per input 1000 mA per device
CI slots	6
Input modulation	
Type	QPSK, 8PSK, 8APSK, 16APSK, 32APSK @ DVB-S/S2/S2X QAM16, QAM32, QAM64, QAM128, QAM256 @ DVB-C QPSK, QAM16, QAM64 @ DVB-T QPSK, QAM16, QAM64, QAM256 @ DVB-T2
Compliance	DVB-S = EN 300 421 DVB-S2 = EN 302 307-1V1.4.1 DVB-S2X = EN 302 307-2V1.1.1 DVB-C = EN 300 429/ITU-TJ.83 Annex A/C DVB-T = EN 300 744 DVB-T2 = ETSI EN 302 755
Supported input transport streams	MPEG-2 ISO/IEC 13818   MPEG-4 ISO/IEC 14496
Error correction	auto
Symbol rate	1.5...45 MS/s (< 40 MS/s in 32APSK) @ DVB-S/S2/S2X 1...7.2 Mbaud @ DVB-C
Transportstreams	
Modifiable program information	Program name, SID remapping, PID remapping, PID filtering* TSID, ONID
LCN	Yes
Encryption	DVB-CSA*, DVB-CISSA*, ATIS-IDSA*, AES-ECB*, AES-CBC*
IP output	
Transportstreams	512 × SPTS   16 × MPTS
Total net data rate	900 Mbps
Data rate per tuner	125 Mbps
Supported transport protocols	UDP
Supported application protocols	RTP
Interfaces	
Ethernet connectors (LAN)	2 × RJ-45

Ethernet standards	IEEE 802.3, 100 Base-T @ Control IEEE 802.3, 1000 Base-T /1 GbE @ IPTV OUT
Supported configuration protocols	HTTP, SNMP v1, SNMP v2c, AXING SMARTPortal**
<b>General</b>	
Operating voltage	100...240 VAC/50...60 Hz
Switching power supply	2 (redundant)
Power consumption	70 W
Operating temperature range (acc. to EN 60065)	-10°C...+50°C
Dimensions (W × H × D) appr.	480 × 47 × 253 mm
Weight	3.950 kg
Comments	* with software extension only ** encrypted, cloud-based application for configuration, monitoring and remote maintenance

## Example of use



## Suitable products

[MKS 1-01 Software extension for PID filtering](#)

[MKS 1-02 Software extension for CASimulcrypt](#)