

MIM 16-00 Extension module for MIE 8-00 or MIE 16-00



- ✓ Extension to additional 512 input streams and additional 16 DVB-C or 12 DVB-T output channels

Order information

Type	MIM 16-00
Order no.	MIM01600
GTIN	7611682007275
PE	1
VE	1
EU customs tariff number	85176990

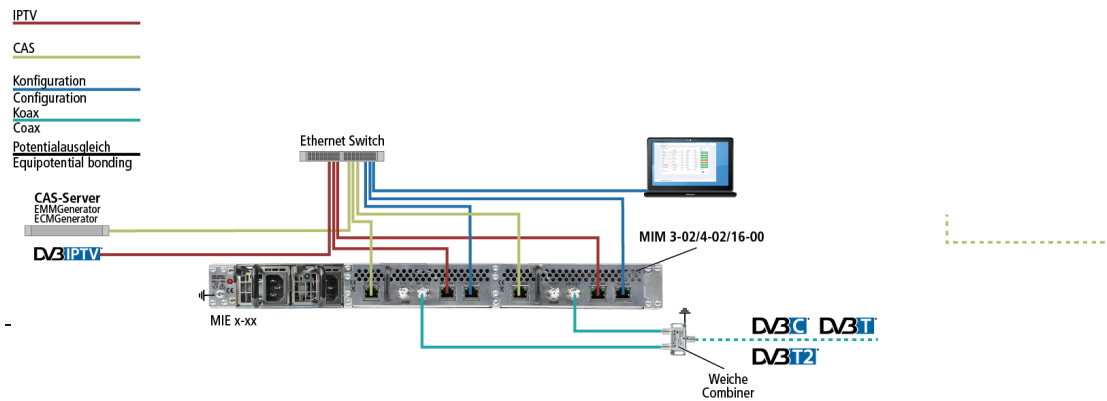


Technical data

IPTV input	
Supported input transport streams	SPTS, MPTS (CBR/VBR)
Max. number (out of SPTS or MPTS)	512
Supported protocols	IP V4; UDP; RTP; IGMP v2, v3
Total net data rate	1 × 900 Mbps
Transportstreams	
Modifiable program information	Program name, SID remapping, PID filtering, TSID, ONID
PCR correction	automatic, adaptive, <500 ns
LCN	Yes
NIT handling @ DVB-C	auto manual off
EPG regeneration	Yes
Encryption	DVB-CSA* DVB-CISSA* ATIS-IDSA* AES-ECB* AES-CBC*
Output	
Number of channels	1 × 16 DVB-C 1 × 12 DVB-T
Frequency range	109...1006 MHz @ DVB-C 109...862 MHz @ DVB-T
Channels selectable	S2...K87 @ DVB-C S2...K69 @ DVB-T
Channel bandwidth	7/8 MHz @ DVB-T
Connector	1 × F-female
Test port	1 × F-female (-30 dB)
Impedance	75 Ω
Output level adjustable	80...105 dBμV @ DVB-C 77...102 dBμV @ DVB-T
Output modulation	
Compliance	EN 50083-9 ETSI TS 101 154 ETSI EN300 429 ETSI EN 300 744 ITU-T J.83A/C
Type	QAM32, QAM64, QAM128, QAM256 @ DVB-C QPSK, QAM16, QAM64 @ DVB-T
Supported output formats	MPEG-2/H.262, MPEG-4/H.264 and HEVC/H.265
MER	≥ 40 dB @ DVB-C ≥ 36 dB @ DVB-T
BER	≥9x10 ⁻⁹
Roll off	15 %
Shoulder attenuation	≥ 56 dB
C/N	≥45 dB
Reflection	>14 dB
Bit rate, max	50.87 Mbps @ DVB-C 31.668 Mbps @ DVB-T
FFT	2K mode @ DVB-T
FEC	1/2, 2/3, 3/4, 5/6, 7/8 @ DVB-T
Guard interval	1/4, 1/8, 1/16, 1/32 @ DVB-T
Symbol rate	1...7.5 MBaud/s
Interfaces	

Ethernet connectors (LAN)	3 × RJ45
Ethernet standards	IEEE 802.3, 100 Base-T @ Control IEEE 802.3, 1000 Base-T /1 GbE @ IPTV IN1, CAS/IN2
Software control and upgrading	Via Remote Access
Supported configuration protocols	HTTP, SNMP v1, SNMP v2c, AXING SMARTPortal**
General	
Operating temperature range (acc. to EN 60065)	-10°C...+50°C
Storage temperature range (acc. to EN 60065)	-20 °C...+80 °C
Weight	0.516 kg
Comments	* with software extension MKS 1-02 only ** encrypted, cloud-based application for configuration, monitoring and remote maintenance

Example of use



Suitable products

[MIS 1-11 Software extension for MIE module redundancy](#)

[MKS 1-02 Software extension for CASimulcrypt](#)