

MIM 4-02 Extension modul for MIE 4-02



- ✓ Extension to additional 512 input streams and additional 4 DVB-T2 output channels

Order information

Type	MIM 4-02
Order no.	MIM00402
GTIN	7611682007282
PE	1
VE	1
EU customs tariff number	85176990

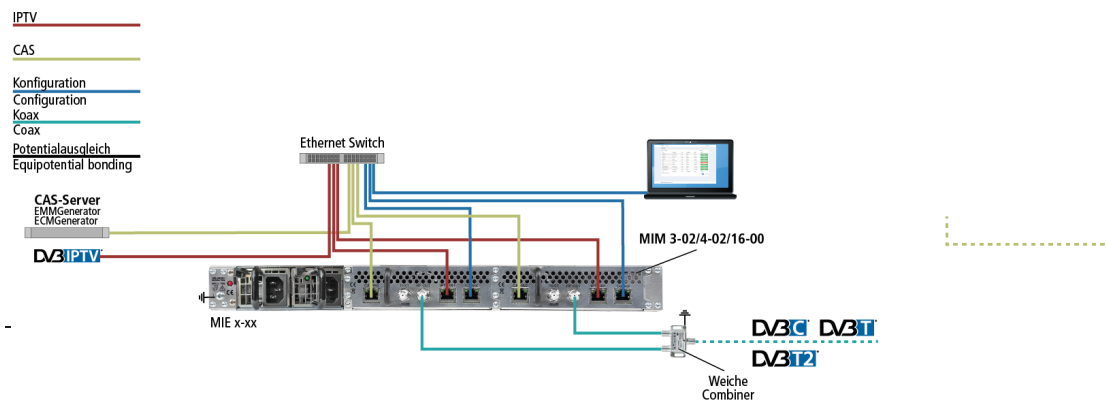


Technical data

IPTV input	
Supported input transport streams	SPTS, MPTS (CBR/VBR)
Max. number (out of SPTS or MPTS)	512
Supported protocols	IP V4; UDP; RTP; IGMP v2, v3
Total net data rate	1 × 900 Mbps
Transportstreams	
Modifiable program information	Program name, SID remapping, PID filtering, TSID, ONID
PCR correction	automatic, adaptive, <500 ns
LCN	Yes
EPG regeneration	Yes
Encryption	DVB-CSA* DVB-CISSA* ATIS-IDSa* AES-ECB* AES-CBC*
Output	
Number of channels	1 × 4 × DVB-T2
Frequency range	109...862 MHz
Channels selectable	S2...K69
Channel bandwidth	7/8 MHz
Net mode	MFN
Connector	1 × F-female
Test port	1 × F-female (-30 dB)
Impedance	75 Ω
Output level adjustable	85...105 dBμV
Output modulation	
Compliance	EN 50083-9 ETSI TS 101 154 ETSI EN300 429 ETSI EN 300 744 DVB-T2 acc. to EN 302 755, mode A (single PLP)
L1 post signalling	BPSK, QPSK, 16QAM, 64QAM
Type	QPSK, QAM16, QAM64, QAM256
Supported output formats	MPEG-2/H.262, MPEG-4/H.264 and HEVC/H.265
MER	≥ 43 dB
BER	≥ 9x10 ⁻⁹
Shoulder attenuation	≥ 56 dB
C/N	≥ 45 dB
Reflection	> 14 dB
Bit rate, max	47.7 Mbps
FFT	1K, 2K, 4K mode
FEC type	BCH, LDPC
FEC length	16200, 64800
FEC	1/2, 3/5, 2/3, 3/4, 4/5, 5/6
Pilot pattern	PP1...PP8
Guard interval	1/4, 1/8, 1/16, 1/32
Interfaces	
Ethernet connectors (LAN)	3 × RJ45

Ethernet standards	IEEE 802.3, 100 Base-T @ Control IEEE 802.3, 1000 Base-T /1 GbE @ IPTV IN1, CAS/IN2
Software control and upgrading	Via Remote Access
Supported configuration protocols	HTTP, SNMP v1, SNMP v2c, AXING SMARTPortal**
General	
Operating temperature range (acc. to EN 60065)	-10°C...+50°C
Storage temperature range (acc. to EN 60065)	-20 °C...+80 °C
Weight	0.516 kg
Comments	* with software extension MKS 1-02 only ** switchable to DVB-T by license key *** encrypted, cloud-based application for configuration, monitoring and remote maintenance

Example of use



Suitable products

[MIS 1-11 Software extension for MIE module redundancy](#)

[MKS 1-02 Software extension for CASimulcrypt](#)