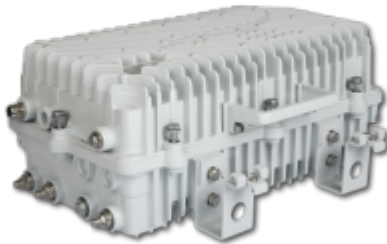


DEV 6872-02 CMTS/CCAP Outdoor Node | 60 ... 90 VAC



- ✓ Mainboard 1.2 GHz
- ✓ Supports DOCSIS and EuroDOCSIS 3.0 / 2.0 (3.1 with software extension)
- ✓ For up to 1000 Modems @ DOCSIS 3.0/2.0
- ✓ For up to 300 Modems @ DOCSIS 3.1
- ✓ Up to 32 × (8 × 2) SC-QAM @ DOCSIS 3.0
- ✓ Up to 4 × (1 × 2) OFDM(A) @ DOCSIS 3.1
- ✓ Licences on delivery: 32 × 8 Bonding for 500 Modems @ DOCSIS 3.0
- ✓ EdgeQAM functionality and DOCSIS 3.1 optional
- ✓ 2 × 10G SFP+ interface for Uplink (SFP+ modules not included in the delivery)
- ✓ Web-based configuration + CLI, supports SNMP
- ✓ Diplexer split ratio 65/87 MHz per default (85/108 MHz or 204/258 MHz optional, please specify when ordering)
- ✓ 4 port RF module (2 upstream cluster), 1.2 GHz
- ✓ Max. output level: 112 dBμV (typ. 108 dBμV)
- ✓ Incl. optical RF-overlay receiver
- ✓ Robust node housing, 435 × 245 × 185 mm, IP code IP67
- ✓ 60 ... 90 VAC remote power supply

Order information

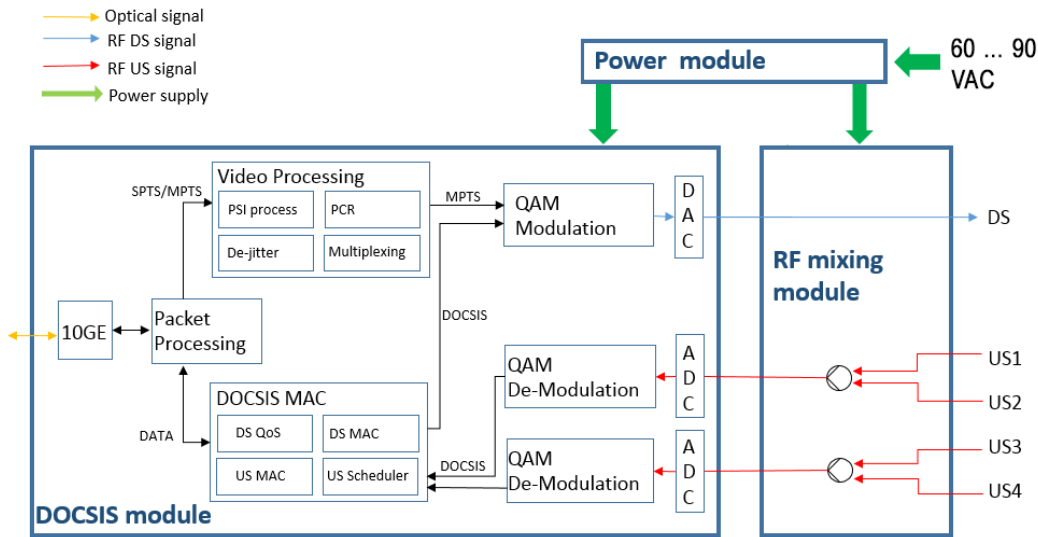
Type	DEV 6872-02
Order no.	DEV687202
GTIN	7611682401363
PE	1
VE	1
EU customs tariff number	85176200



Technical data

Max. number of modems in the network	1000*
<b>Downstream</b>	
Number of channels	32
Frequency range	87 ... 87/108/258...1218 MHz
Channel bandwidth	6/8 MHz
Modulation	64 ... 1024 QAM
MER	≥ 39 dB @ Equalizer off   ≥ 43 dB @ Equalizer on
<b>Upstream</b>	
Number of channels	8
Frequency range	5 ... 65/85/204 MHz
Channel bandwidth	1.6 MHz / 3.2 MHz/ 6.4 MHz
Reception level range	-7...+23 dBmV = +53 ... +83 dBμV @ 6.4 MHz -10...+20 dBmV = +50 ... +80 dBμV @ 3.2MHz -13...+17 dBmV = +47 ... +77 dBμV@ 1.6MHz
Demodulation	QPSK, 16 ... 256 QAM
<b>Interfaces</b>	
SFP	1 × 10GE SFP+
Ethernet connectors	1 × RJ45
Ethernet standards	IEEE 802.3ah, 1000 Base-T
Serial	1 × 115200 bps
<b>Connectors</b>	
Connector type	F-female
Return loss	≥ 14 dB
<b>General</b>	
Operating temperature range	-40 ... +55°C
Operating humidity (non-condensing)	5 ... 95%
Operating voltage	36 ... 110 VAC
Power consumption	≤ 115 W
Dimensions (W × H × D) appr.	436 × 185 × 243 mm
Weight	20.000 kg
Comments	* with software extension

## Example of use



## Suitable products

- [FLT 3-00 Diplex filter 85/108 MHz split](#)
- [FLT 4-00 Diplex filter 204/258 MHz split](#)
- [LQAM-DS Licence for 16x-DS \(QAM\)](#)
- [LD 30-US DOCSIS 3.0 Licence 4 x US \(ATDMA\)](#)
- [LD 31-DS DOCSIS 3.1 licence 1xDS \(OFDM\)](#)
- [LD 31-US DOCSIS 3.1 licence 1xUS \(OFDMA\)](#)
- [L 250 CM Licence for add. 250 DOCSIS 3.1 Modems](#)
- [CMO 1-98R Cable modem DOCSIS/EuroDOCSIS](#)
- [CMO 2-98R Cable gateway DOCSIS/EuroDOCSIS | Wi-Fi](#)
- [SFPB 10-1023 Bidirectional SFP+ Transceiver 10G | 10 km | TX 1270 nm | RX 1330 nm](#)
- [SFPB 10-1032 Bidirectional SFP+ Transceiver 10G | 10 km | TX 1330 nm/RX 1270 nm](#)
- [SFPB 10-2023 Bidirectional SFP+ Transceiver 10G | 20 km | TX 1270 nm | RX 1330 nm](#)
- [SFPB 10-2032 Bidirectional SFP+ Transceiver 10G | 20 km | TX 1330 nm/RX 1270 nm](#)