

CMTS 1-00N Cable Modem Termination System | 16×4



- ✓ Feeding in Internet services in hospitality CATV systems
- ✓ According to DOCSIS and EuroDOCSIS 3.0 / 2.0
- ✓ For up to 256 modems
- ✓ 16 downstream channels
- ✓ 4 upstream channels
- ✓ 800 Mbps in the downstream
- ✓ 120 Mbps in the upstream
- ✓ SFP+ interface for Uplink (SFP+ module not included)
- ✓ Web-based configuration
- ✓ Supports SNMP
- ✓ 19" housing, 1RU

Order information

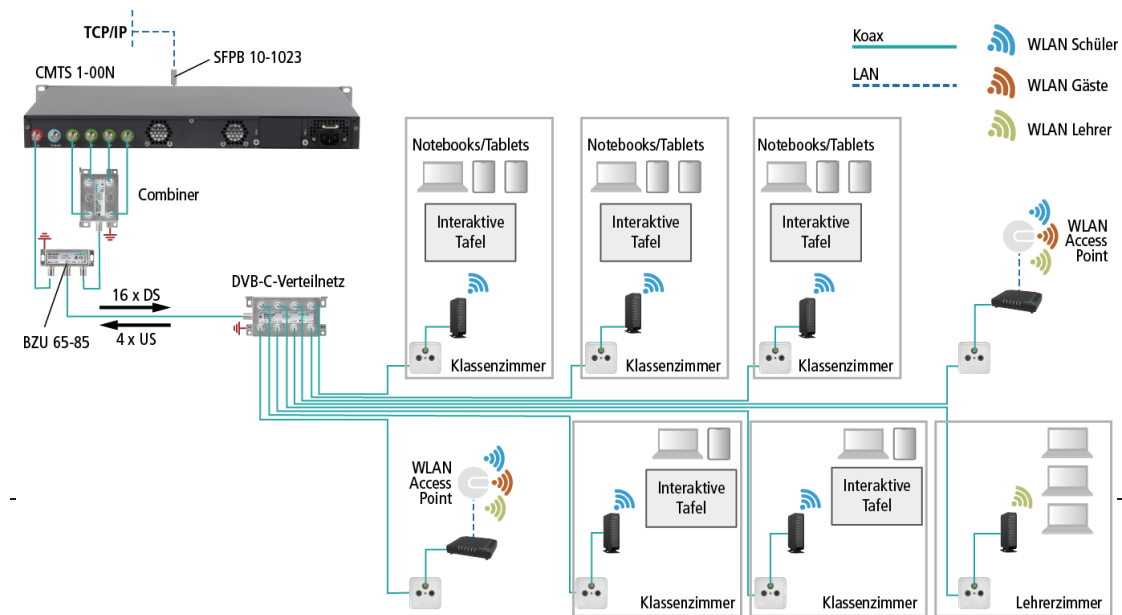
Type	CMTS 1-00N
Order no.	CMTS00100N
GTIN	7611682009736
PE	1
VE	1
EU customs tariff number	85176200



Technical data

Max. number of modems in the network	256
Downstream	
Number of channels	16
Data rate	800 Mbps
Frequency range	87 ... 1002 MHz
Channel bandwidth	6 MHz / 8 MHz
Modulation	QAM64, QAM256
Output level	43 dBmV = 103 dBμV @ 16 chs 46 dBmV = 106 dBμV @ 8 chs 49 dBmV = 109 dBμV @ 4 chs 52 dBmV = 112 dBμV @ 2 chs 55 dBmV = 115 dBμV @ 1 ch
MER	≥ 39 dB @ Equalizer off ≥ 43 dB @ Equalizer on
Upstream	
Number of channels	4
Data rate	120 Mbps
Frequency range	5 ... 65 MHz
Channel bandwidth	1.6 MHz / 3.2 MHz / 6.4 MHz
Reception level range	-7...+23 dBmV @ 6.4 MHz -10...+20 dBmV @ 3.2MHz -13...+17 dBmV @ 1.6MHz
Demodulation	QPSK, QAM16, QAM32, QAM64
Interfaces	
Internet	1 × 10GE SFP+
Ethernet connectors (LAN)	1 × RJ45
Ethernet standards	IEEE 802.3ah, 1000 Base-T
Serial	1 × 115200 bps
Connectors	
Connector type	F-female
Return loss	≥ 13 dB
General	
Operating voltage	90...264 VAC 47...63Hz
Power consumption	50 W
Operating temperature range	0 ... +40°C
Operating humidity (non-condensing)	10 ... 90%
Dimensions (W × H × D) appr.	483 × 44 × 300 mm
Weight	4.50 kg (with one power supply unit)

Example of use



Suitable products

[CMO 1-98R Cable modem DOCSIS/EuroDOCSIS](#)

[CMO 2-98R Cable gateway DOCSIS/EuroDOCSIS | Wi-Fi](#)

[BZU 65-85 Diplexer 65/85 MHz](#)

[CZU 2-00 Additional power supply unit CMTS 2-00](#)

[CZU 3-00 Startup kit with accessories for CMTS 2-00](#)

[SFPB 10-1023 Bidirectional SFP+ Transceiver 10G | 10 km | TX 1270 nm | RX 1330 nm](#)

[SFPB 10-1032 Bidirectional SFP+ Transceiver 10G | 10 km | TX 1330 nm/RX 1270 nm](#)

[SFPB 10-2023 Bidirectional SFP+ Transceiver 10G | 20 km | TX 1270 nm | RX 1330 nm](#)

[SFPB 10-2032 Bidirectional SFP+ Transceiver 10G | 20 km | TX 1330 nm/RX 1270 nm](#)