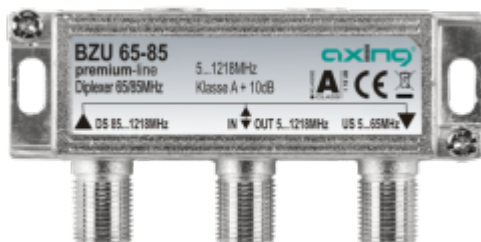


BZU 65-85 Diplexer 65/85 MHz



- ✓ For splitting or merging the return path (upstream) and forward path (downstream) for the signals of a Cable Modem Termination System (CMTS)
- ✓ Class A + 10 dB according to EN 50083-2

Order information

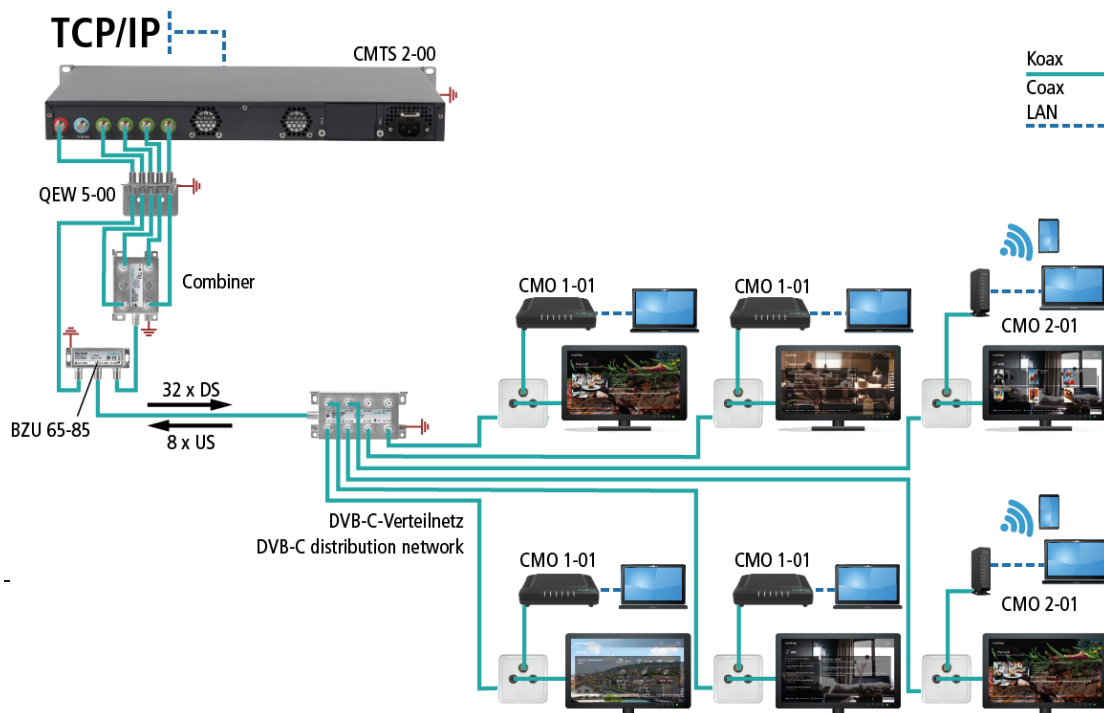
Type	BZU 65-85
Order no.	BZU06585
GTIN	7611682007480
PE	1
VE	1
EU customs tariff number	85291080



Technical data

Frequency range	5 ... 1218 MHz 5 ... 65 MHz @ Upstream 85 ... 1218 MHz @ Downstream
Through loss	≤ 1.0 dB @ 5 ... 65 MHz Upstream IN ≥ 48 dB @ 85 ... 1218 MHz Upstream IN ≥ 50 dB @ 5 ... 65 MHz Downstream IN ≤ 2.2 dB @ 85 ... 1218 MHz. Downstream IN
RF connectors	
Type	F-female
Connectors	
Impedance	75 Ω
Return loss	≥ 13 dB
General	
Dimensions (W x H x D) appr.	75 x 35 x 18 mm
Weight	0.059 kg

Example of use



Suitable products

CMTS 2-00 Cable Modem Termination System | 32x8