

## BVS 20-47 CATV amplifier 36 dB | 107 dBμV CSO/CTB



- ✓ Downstream 47/85...1006 MHz
- ✓ Attenuation and equalization adjustable PCB switches
- ✓ Interstage attenuation/equalization pluggable with jumpers
- ✓ Upstream via pluggable return path module 5...65 MHz (not included in delivery)
- ✓ Al-die-cast housing
- ✓ Test ports at in- and output

### Order information

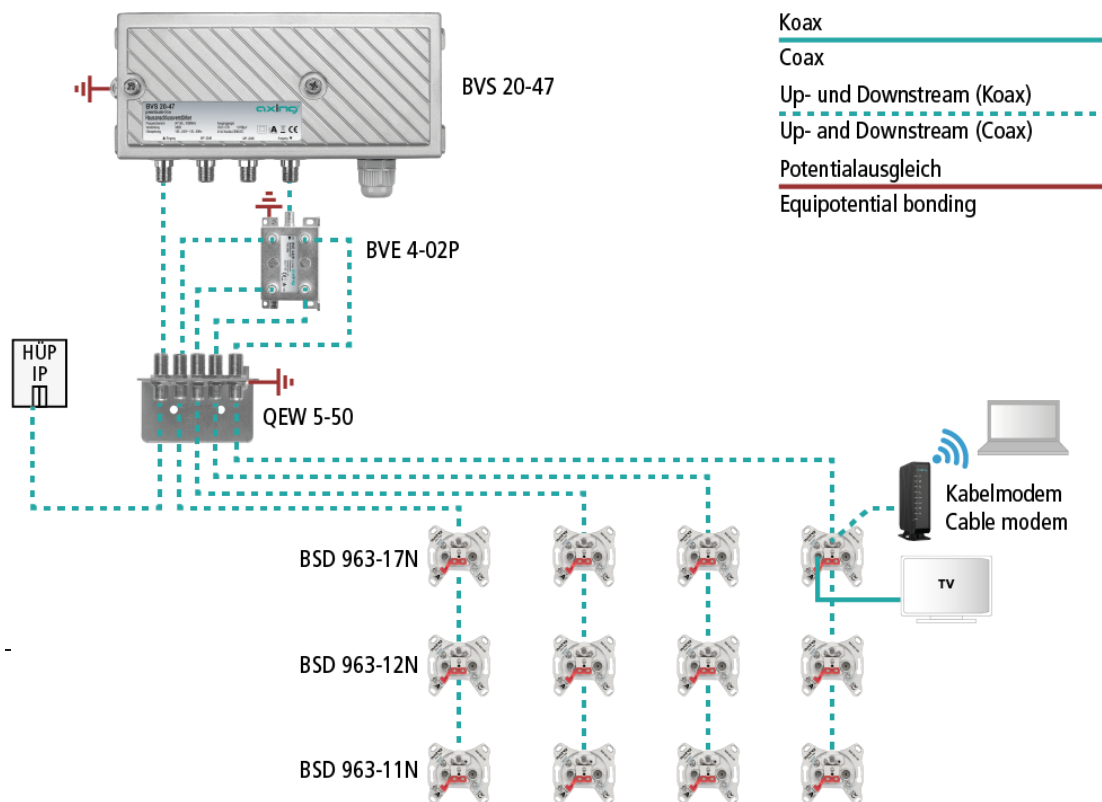
Type	BVS 20-47
Order no.	BVS02047
GTIN	7611682003215
PE	1
VE	1
EU customs tariff number	85437030



### Technical data

EMC	according to EN 50083-2, class A
<b>Downstream</b>	
Frequency range	47*/85...1006 MHz
Gain	36 dB
Max. output level CSO/CTB (CENELEC raster, 41 channels, 60 dB IMA)	107 dBμV
Attenuation: adjustable in 1 dB steps	0...15 dB
Equalization: adjustable in 1 dB steps	0...15 dB
Attenuation interstage: pluggable with jumpers	0   2   4   6 dB
Equalization interstage: pluggable with jumpers	0   2   4   6 dB
Return loss	≥ 18 dB (-1.5 dB/Octave)
Noise figure typ.	≤ 6.5 dB
<b>RF connectors</b>	
Type	F-female
Test port at in-/output	-20 ±2.5 dB/-20 ±1.0 dB
<b>General</b>	
Switching power supply	100...240 VAC / 50...60 Hz
Power indicator	LED
Power consumption	8 W
Equipotential bonding connection	4 mm <sup>2</sup>
Operating temperature range (acc. to EN 60065)	-20...+50°C
Dimensions (W × H × D) appr.	195 × 90 × 55 mm
Weight	0.480 kg
IP code	IP54
Comments	* Without return path module

## Example of use



## Suitable products

- [BZU 20-65 Return path module, active](#)
- [QEW 5-50 Earthing angle | 5-way, two-rowed](#)
- [QEW 6-50 Earthing angle | 6-way, two-rowed](#)
- [QEW 7-50 Earthing angle | 7-way, two-rowed](#)
- [QEW 8-50 Earthing angle | 8-way, two-rowed](#)
- [QEW 9-50 Earthing angle | 9-way, two-rowed](#)
- [QEW 11-50 Earthing angle | 11-way, two-rowed](#)
- [QEW 13-50 Earthing angle | 13-way, two-rowed](#)
- [QEW 17-50 Earthing angle | 17-way, two-rowed](#)
- [QEW 25-50 Earthing angle | 25-way, three-rowed](#)