

BSD 960-00N Multimedia end outlet 5...2200 MHz | CATV | DATA | SAT



- ✓ Class A (+10 dB) according to EN 50083-2
- ✓ Suitable for broadband return path
- ✓ Easy to install
- ✓ Stripping length 8/13 mm
- ✓ Extended F sockets
- ✓ Surface treated
- ✓ Vodafone listed

Order information

Type	BSD 960-00N
Order no.	BSD96000N
GTIN	7611682002638
PE	1
VE	1
EU customs tariff number	85291095



Technical data

Screening factor acc. to EN 50083-2	Class A (+ 10 dB)
Trunk line	
Frequency range input	5...2200 MHz
Suitable cables (Inner conductor outer diameter)	0.63...1.13 mm 4.70...7.35 mm
TV connector	
Connector type	IEC-male
Frequency range	109...862 MHz
Tap loss	8.0 dB ±1.5 dB
Radio connector	
Connector type	IEC-female
Frequency range	87.5...125 MHz
Tap loss	9.0 dB ±1.5 dB
SAT connector	
Connector type	F-female
Frequency range	950...2200 MHz
Tap loss	1.0 dB ±1.5 dB
DATA connector	
Connector type	F-female
Frequency range	5...862 MHz
Tap loss	8.0 dB ±1.5 dB
General	
Dimensions (W × H × D) appr.	68 × 68 × 39 mm
Weight	0.103 kg

Example of use

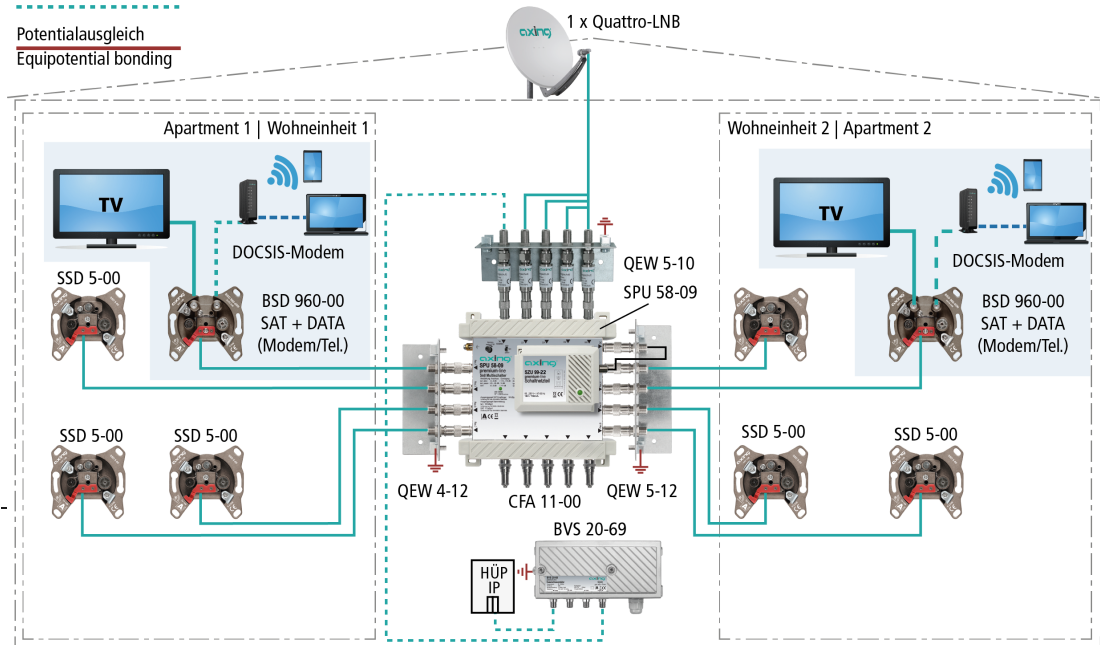
Koax

Coax

DOCSIS

Potentialausgleich

Equipotential bonding



Suitable products

[SZU 2-02 Cover plate | TV/R/SAT/DATA | single piece](#)

[TZU 1-00 Surface frame](#)

[SZU 2-12 Cover plate | TV/R/SAT/DATA | two-parts](#)

[TZU 1-10 Surface frame](#)