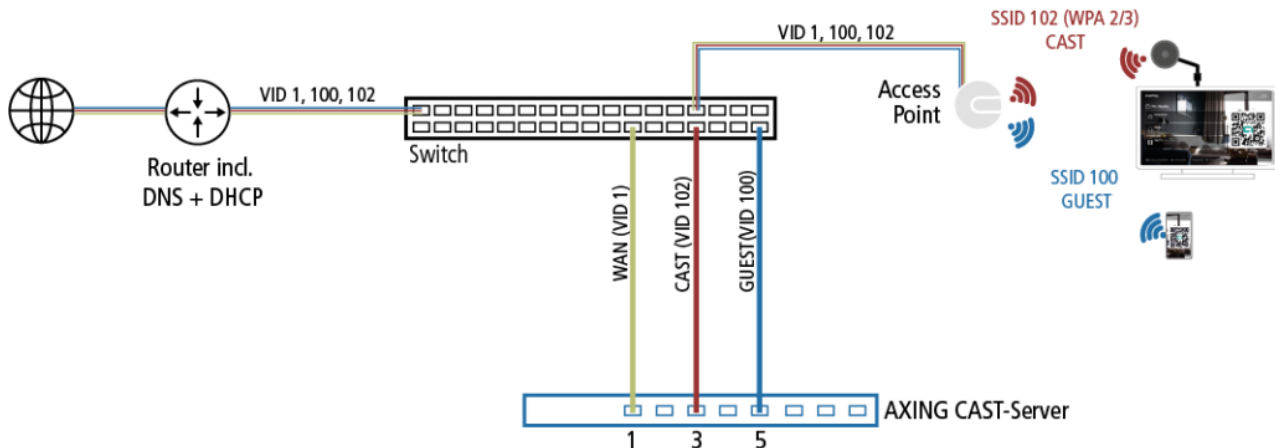




AXING Cast Solution

AXING Application Note

The network must fulfil various requirements. The hardware server must be integrated into the network accordingly. These requirements are described in this application note.



Virtual LANs (VLANs)

The network must consist of three virtual LANs. In our example, VLAN 1, VLAN 100 and VLAN 102. Three different IP address ranges must be set up for these in the DHCP server, e.g:

- VLAN 1 192.168.0.0 to 192.168.0.254
- VLAN 100 192.168.100.0 to 192.168.100.254
- VLAN 102 192.168.102.0 to 192.168.102.254

In both VLAN 100 and VLAN 102, two reserved static IP addresses must be defined in the DHCP server. These must be transmitted to AXING so that the configuration can be finalised. The reserved IP addresses must be accessible for the devices in the respective network.

Corresponding gateways must be set up in the router, e.g:
Gateway VLAN 1 192.168.0.254
Gateway VLAN 100 192.168.100.254
Gateway VLAN 102 192.168.102.254
An untagged port must be available in these VLANs for the connection to the AXING CAST server.

Wi-Fi

Two Wi-Fi networks with two different SSIDs must be set up (e.g. **GUEST** for the hotel guests and **CAST** for the Chromecast devices). The CAST Wi-Fi must be WPA2/3 encrypted. The GUEST Wi-Fi can (but does not have to) be unencrypted. The Wi-Fi for the Chromecast devices is assigned to VLAN 102, the Wi-Fi for the guests to VLAN 100.

DNS server





Competence in
Communication
Technologies

A local DNS server is also required. A locally resolvable DNS name for pairing between the client and Chromecast must be accessible for the guests' devices. For example cast.yourhotel.com. This DNS name must also be communicated to AXING.
If possible, mDNS helper/filtering functions should be available.

[Article as a PDF](#)



AXING AG
Gewerbehäus Moskau
Telefon +41 52 - 742 83 00
Telefax +41 52 - 742 83 19

CH-8262 Ramsen
info@axing.com
www.axing.com

Technische Verbesserungen, Änderungen im Design, Druckfehler und Irrtümer vorbehalten. | Technical improvements, changes in design, printing- and other errors reserved.