



Feeding into a CATV network

AXING Application Note

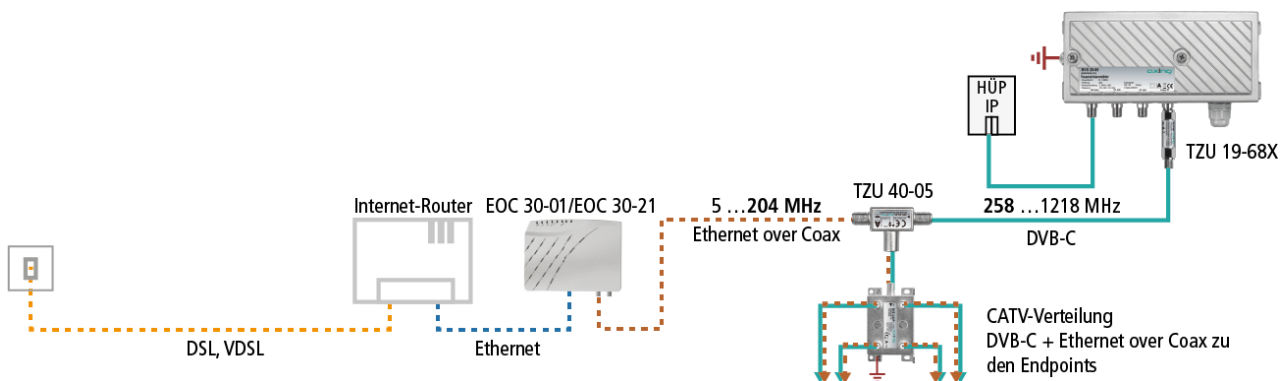
IMPORTANT: The EOC masters EOC 30-01 and EOC 30-21 and the EOC endpoints EOC 30-02 and EOC 30-03 may only be used in a CATV network if the forward path frequency range starts at 258 MHz. In a CATV network where the forward path frequency range starts at 85 MHz, for example, frequency overlaps and interference occur.

To feed in the Ethernet-over-Coax signals, a [TZU 40-05 EOC inserter](#) is required.

- The G.hn connector of the EOC master is connected to input IN2 (EOC) using a coaxial cable with F connectors.
- The output of the house connection amplifier is connected to input IN1.
- The COM output is connected to the house distribution.

Internet over DSL or VDSL

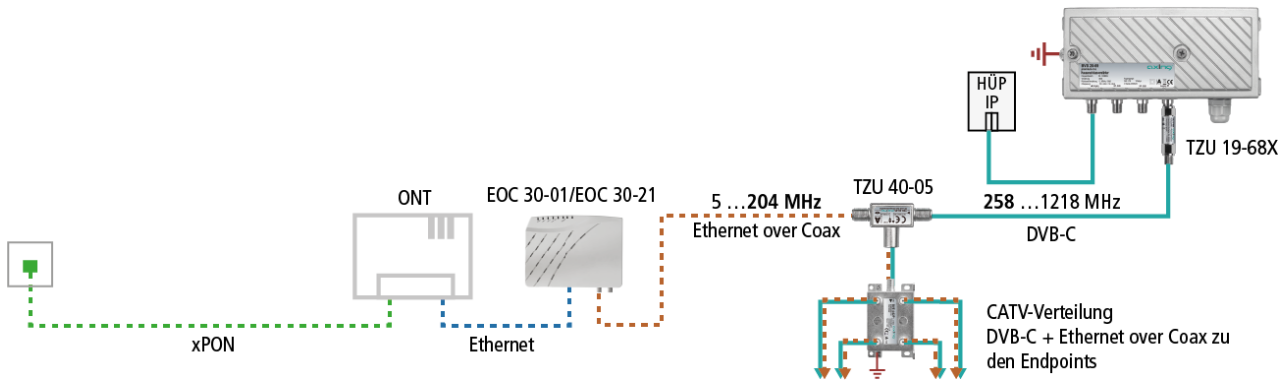
The EOC master (EOC 30-01 or EOC 30-21) is connected to the Internet router via an Ethernet cable. The connection to the Internet is established with the help of the Internet router via DSL or VDSL.



Internet over xPON

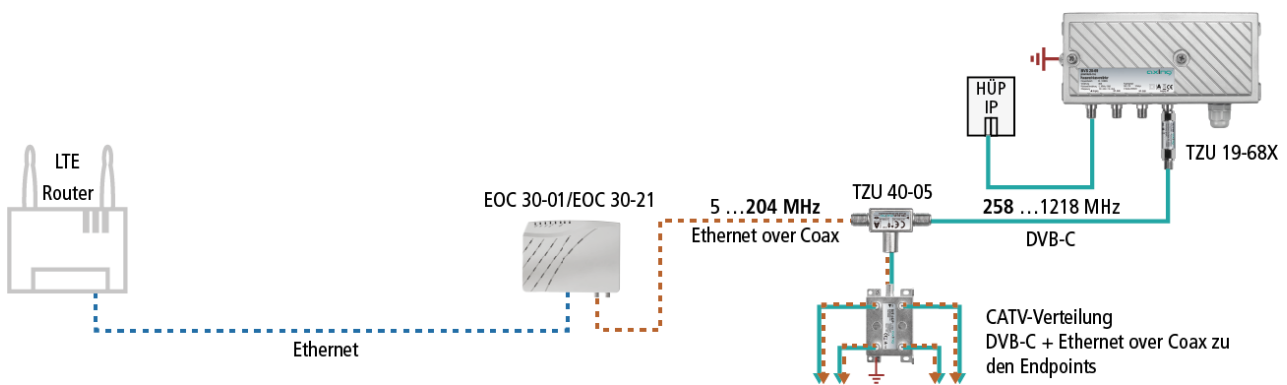
The EOC master (EOC 30-01 or EOC 30-21) is connected to the ONT (Optical Network Termination) via an Ethernet cable. The connection to the Internet is established via optical fibre with the help of the ONT.





Internet over LTE

The EOC master (EOC 30-01 or EOC 30-21) is connected to the LTE router via an Ethernet cable. The connection to the Internet is established via cellular network with the help of the LTE router.



[Article as PDF](#)

