

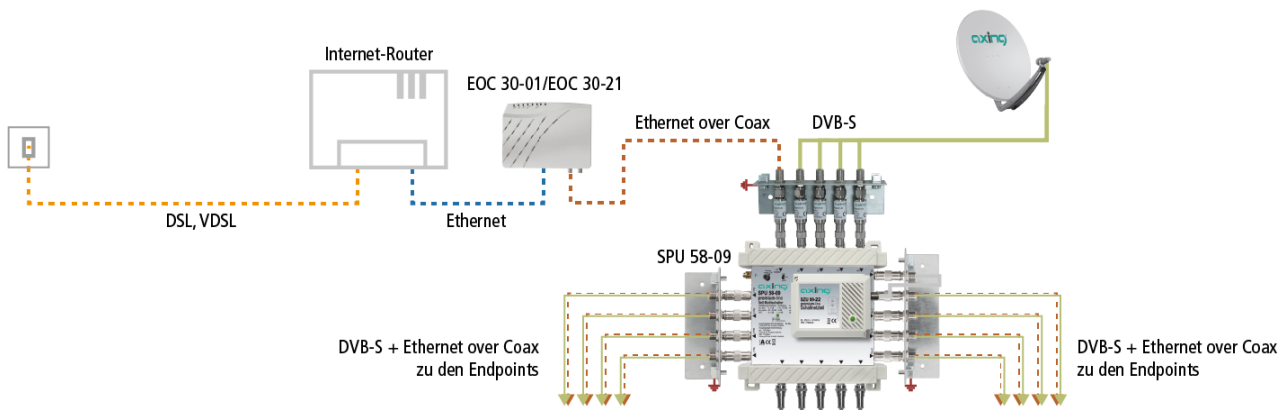


Feeding into a multiswitch

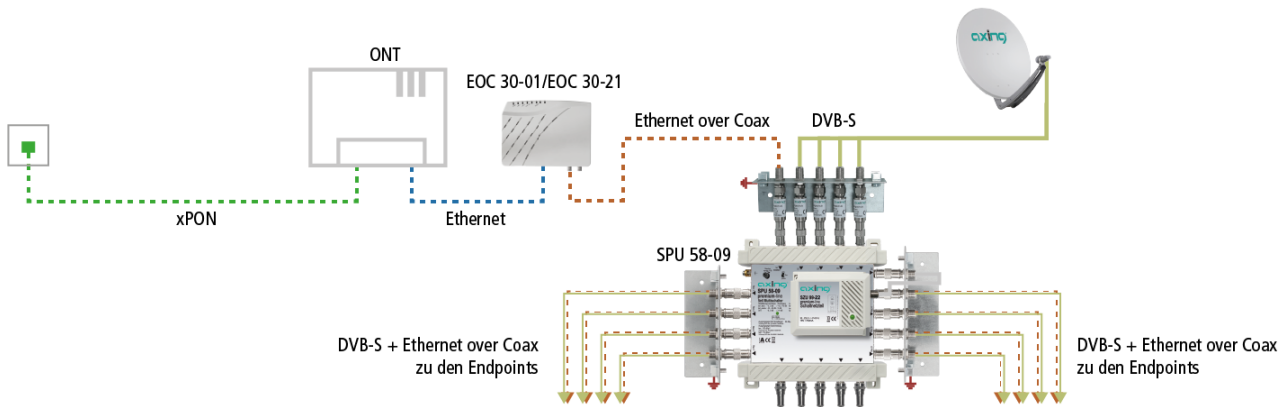
AXING Application Note

The G.hn connector of the EOC master is connected to the terrestrial input of the multiswitch using a coaxial cable with F connectors. The EOC master (EOC 30-01 or EOC 30-21) is connected to the respective Internet router via an Ethernet cable.

Internet over DSL or VDSL

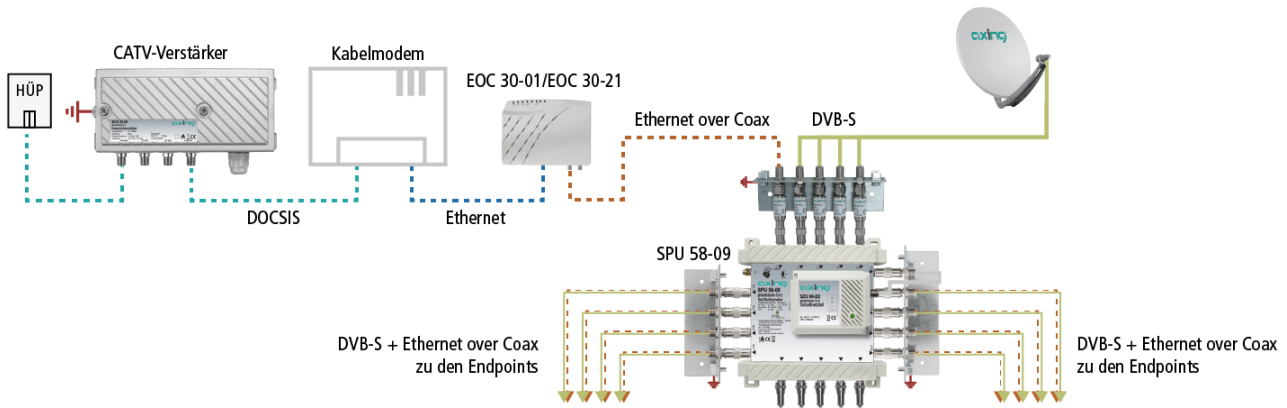


Internet over xPON

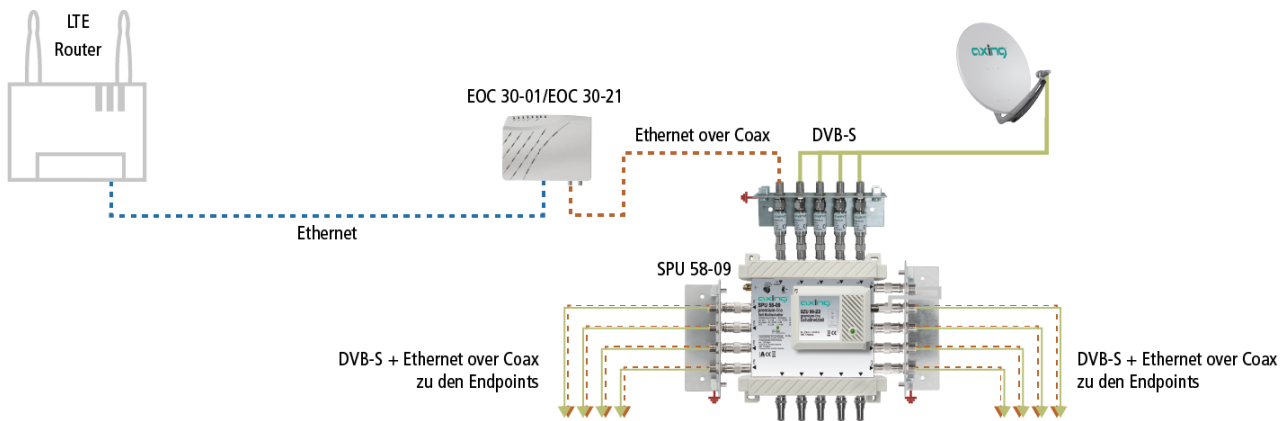


Internet over DOCSIS





Internet over LTE



Modulation/Demodulation

The EOC master modulates the Ethernet data in HF and feeds them into the multi-switch. These are forwarded to the antenna sockets via the subscriber outputs of the multiswitch. EOC endpoints can be connected there.

Signals from the EOC endpoints are fed in reverse via the antenna sockets and subscriber outputs as well as the terrestrial input of the multi-switch to the EOC master. The master demodulates the signals and passes them on to the respective router via Ethernet.

[Article as PDF](#)

